

## ORION BOLT PACKS

We have provided both a 1.25 and 1.5 thread pitch bolt for stock 3 speed transmissions built prior to 1970.  
***You must determine the proper pitch for your 3 speed transmission case.***

### O10220 KIT CONSISTS OF:

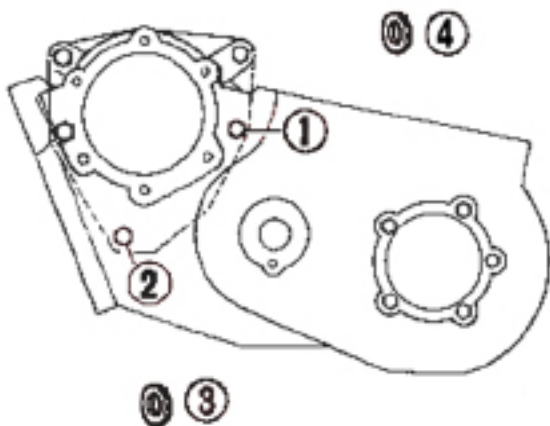
720081	1	12mm x 1.25 x 130mm MODIFIED BOLT <i>(For Location 1)</i>
720082	1	12mm x 1.5 x 130mm MODIFIED BOLT <i>(For Location 1)</i>
O10283	1	12mm x 1.5 x 25mm S.H.C.S. <i>(For Location 2)</i>
O10284	1	12mm x 1.25 x 25mm S.H.C.S. <i>(For Location 2)</i>
720085	2	12mm LOCK WASHER <i>(Item #3 for Location 1 &amp; 2)</i>
O61200	1	SEAL WASHER <i>(Item #4 for Location 1)</i>

### O10221 KIT CONSISTS OF:

720080	1	12mm x 1.25 x 150mm MODIFIED BOLT <i>(For Location 1)</i>
O10284	1	12mm x 1.25 x 25mm S.H.C.S. <i>(For Location 2)</i>
720085	2	12mm LOCK WASHER <i>(Item #3 for Location 1 &amp; 2)</i>
O61200	1	SEAL WASHER <i>(Item #4 for Location 1)</i>

### O10222 KIT CONSISTS OF:

720086	1	7/16"-14 x 5" MODIFIED BOLT <i>(For Location 1)</i>
724326	1	7/16"-14 x 1-1/2" S.H.C.S. <i>(For Location 2)</i>
724303	2	7/16" LOCK WASHERS <i>(Item #3 for Location 1 &amp; 2)</i>
728701	1	7/8"-16 OUTPUT SHAFT NYLON LOCK NUT
O61200	1	SEAL WASHER <i>(Item #4 for Location 1)</i>



**NOTE:** The bolt for Location 1 must be used to obtain idler gear clearance. Seal washer, Item #4, must be captured between the transfer case and the lock washer in order to prevent leaking at Location 1.

**SPECIAL NOTE:** The components packaged in this kit have been assembled and machined for specific type of conversions. Modifications to any of the components will void any possible warranty or return privileges. If you do not fully understand modifications or changes that will be required to complete your conversion, we strongly recommend that you contact our sales department for more information. This instruction sheet is only to be used for the assembly of Advance Adapter components. We recommend that a service manual pertaining to your vehicle be obtained for specific torque values, wiring diagrams and other related equipment. These manuals are normally available at automotive dealerships and parts stores.