

ADVANCE ADAPTERS INC.

P.O. Box 247, 4320 Aerotech Center Way

Paso Robles, CA 93447

Telephone: (800) 350-2223 Fax: (805) 238-4201

P/N: 715503

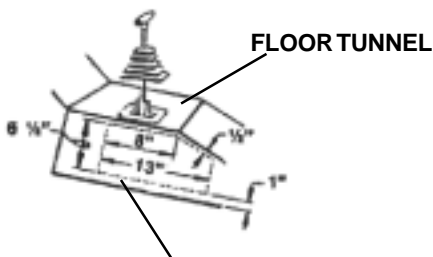
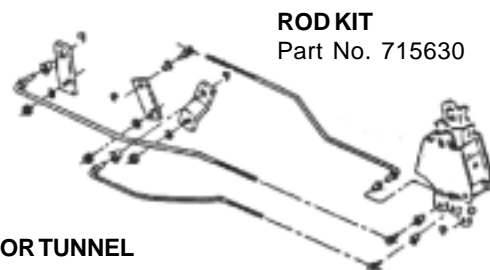
PAGE 1 OF 1

Page Rev. Date: 10-28-96

HURST SHIFTER MOUNTING PLATE FOR BRONCOS 1966-76 FORD T&C TRANSMISSIONS

KIT CONSISTS OF:

No.	Qty	Part No.	Description
1.	1	716225	BRACE
2.	1	716226	BRACKET
3.	1	716227	LEGBRACKET
4.	5	723704	LOCK WASHERS
5.	3	723720	3/8"-16 x 3/4" H.H.C.S.
6.	1	723725	3/8"-16 x 2" H.H.C.S.
7.	1	723726	3/8"-16 x 3" PLATE H.H.C.S.
8.	5	723735	FLAT WASHERS
9.	1	724310	7/16"-14 x 3" H.H.C.S.
10.	3	725003	1/8" FLAT WASHERS



OUTLINE OF OPENING TO BE CUT

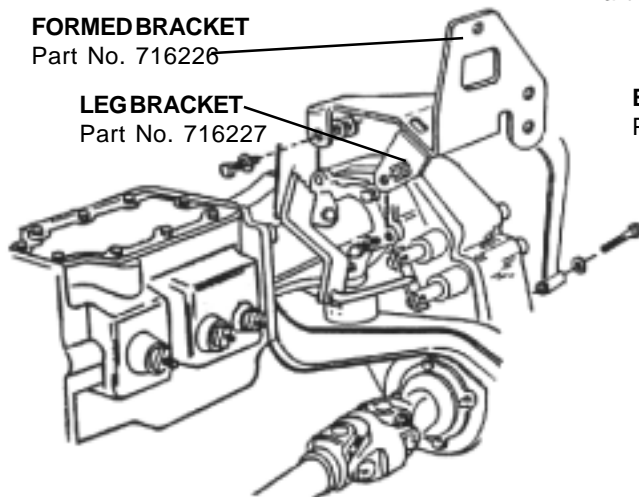
FORMED BRACKET
Part No. 716226

LEGBRACKET
Part No. 716227

MOUNTING BRACKET
Part No. 716226

BRACE
Part No. 716225

3/8"-16 X 2" BOLT



SPECIAL NOTE: The components packaged in this kit have been assembled and machined for specific type of conversions. Modifications to any of the components will void any possible warranty or return privileges. If you do not fully understand modifications or changes that will be required to complete your conversion, we strongly recommend that you contact our sales department for more information. This instruction sheet is only to be used for the assembly of Advance Adapter components. We recommend that a service manual pertaining to your vehicle be obtained for specific torque values, wiring diagrams and other related equipment. These manuals are normally available at automotive dealerships and parts stores.