

ADVANCE ADAPTERS INC.

P.O. Box 247, 4320 Aerotech Center Way

Paso Robles, CA 93447

Telephone: (800) 350-2223 Fax: (805) 238-4201

P/N: 716101-2

New Item: (09/96)

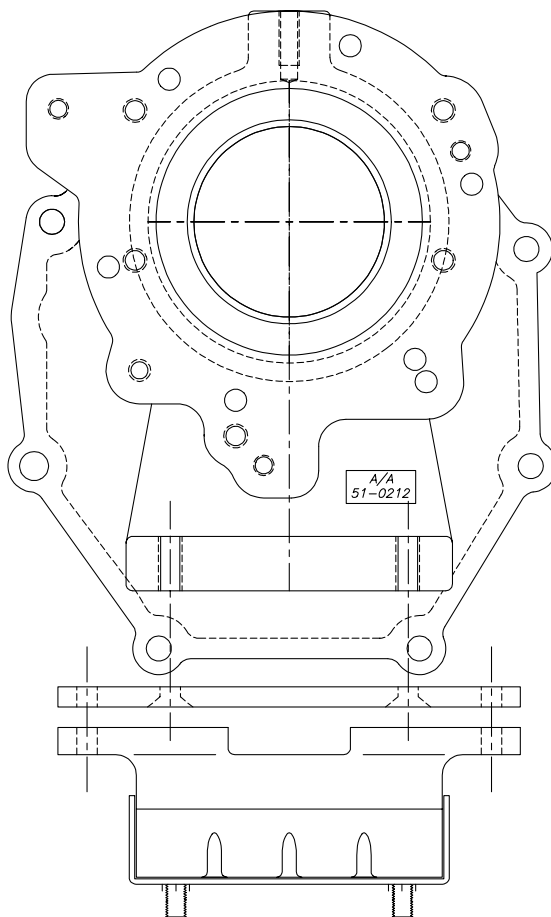
PAGE 1 OF 1

Page Rev. Date: 11-11-02

NEW VENTURE 4500 TO BRONCO CROSSMEMBER MOUNT

KIT CONSISTS OF:

<u>No.</u>	<u>Qty</u>	<u>Part No.</u>	<u>Description</u>
1.	1	716000-3	RUBBERMOUNT
2.	1	716101-1	ADAPTER BAR
3.	2	720011	METRIC NUT
4.	2	720038	LOCKWASHER
5.	2	723704	3/8" LOCK WASHERS
6.	2	723720	HEX HEAD CAP SCREW 3/8"-16 x 3/4"
7.	2	724322	FLAT HEAD CAP SCREW 7/16"-14 x 1-1/2"



SPECIAL NOTE: The components packaged in this kit have been assembled and machined for specific type of conversions. Modifications to any of the components will void any possible warranty or return privileges. If you do not fully understand modifications or changes that will be required to complete your conversion, we strongly recommend that you contact our sales department for more information. This instruction sheet is only to be used for the assembly of Advance Adapter components. We recommend that a service manual pertaining to your vehicle be obtained for specific torque values, wiring diagrams and other related equipment. These manuals are normally available at automotive dealerships and parts stores.