

TOYOTA TACOMA TRANS TO ATLAS (95-1/2 to 04 3.4L V6 Manual & Auto, 4.7L auto's)

KIT CONSISTS OF:

No.	Qty.	Part No.	Description
1.	1	51-5710	3/8" ADAPTER PLATE
2.	1	52-5710	TOY. 23 SPL. x JEEP 23 SPLINE SPUD SHAFT
3.	1	716178	SPUD SHAFT SPRING
4.	1	716189	SEAL ADAPTER
5.	1	716756	NATIONAL SEAL #474269
6.	8	720066	8mm-1.25-S.H.C.S. x 35mm LONG
7.	6	723722	3/8"-16 H.H.C.S x 1.25" LONG

Additional items required

left hand transfer cases:

P/N 303318,303319,303321(cable link)

P/N 300605 Atlas VSS Adapter

P/N 300613 Atlas speedo cable adapter

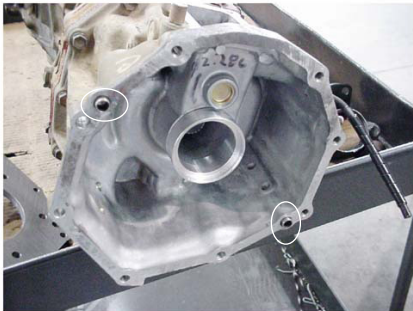
Both speedometer options require

P/N 301506 plus a speedo gear.

Short Atlas input

Notes: This kit is designed to adapt the Atlas transfer case to a Toyota Tacoma transmission. This adapter plate works with both the 5 speed manual transmission as well as the automatic. The adapter will allow either a right or left hand front output drop. The left hand drop transfer case does require a special cable link to allow clearance on the stock Toyota transmission tailhousing. The link components are [P/N 303318,303319,302454 & 302455](#). The right hand transfer case allows for nearly a zero degree rotation and does not have any shift rod clearance issues. This adapter plate does not work with a Dana 300 transfer case.

Installation: Remove the stock transfer case from the stock tailhousing adapter. The stock tailhousing is retained along with the stock rubber crossmember support. Once the transfer case is removed, you'll see a seal located in the stock tailhousing. This seal must be removed and discarded. Some tail housings also had a bearing which also must be removed. Install the new oil seal into the large end of the seal adapter. The sealing lip should be facing down. The small end of the seal adapter has the same O.D. (outside diameter) as the old seal that was just removed from the stock tailhousing. The seal adapter is a press-fit into the stock tail and should now be installed.



Make sure the dowel pins are in the stock tailhousing.



The kit comes with a new spud shaft which fits over the stock Toyota transmission output shaft. This spud shaft has a Jeep 23 male spline on the opposite side which fits into a 23 spline Atlas case. When installing the spud shaft into the Toyota transmission, the spud shaft does not seal onto the new seal just previously installed. The seal contacts seal off of the Atlas input shaft.

The adapter plate should now be installed onto the Atlas transfer case. The adapter plate indexes off of the Atlas front

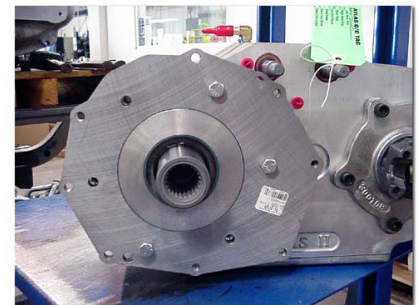
SPECIAL NOTE: The components packaged in this kit have been assembled and machined for specific type of conversions. Modifications to any of the components will void any possible warranty or return privileges. If you do not fully understand modifications or changed that will be required to complete your conversion, we strongly recommend that you contact our sales department for more information. This instruction sheet is only to be used for the assembly of Advance Adapter components. We recommend that a service manual pertaining to your vehicle be obtained for specific torque values, wiring diagrams and other related equipment. These manual are normally available at automotive dealerships and parts stores.

TOYOTA TACOMA TRANS TO ATLAS (95-1/2 to 04 3.4L V6 Manual & Auto, 4.7L auto's)

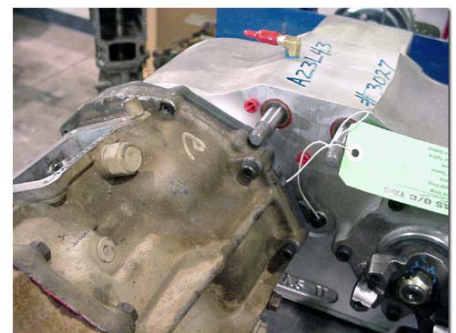
retainer and is bolted on with the (6) 3/8"-16 hex head bolts. Once the adapter plate is secured and orientated correctly, you'll now need to couple it onto the back of the stock transmission tailhousing. The stock tailhousing used two dowel pins to align the stock transfer case to the transmission. These dowel pins must be retained into the stock tailhousing for proper alignment of the Atlas onto the transmission. The Toyota transmissions have a short spline length on the output shaft, since the spud shaft does not bottom out into the Atlas, this spud shaft could move back and forth on the splines. We have included a spring that must be installed into the Atlas input. This spring will force the spud shaft to retain full spline contact on the Toyota output shaft. Install the Atlas to the transmission and secure with the new metric socket head fasteners.

The vehicle may require some tunnel modifications for the proper fit into the vehicle, and the Atlas shifter will require some modifications to fit into the Tacoma.

Right hand Atlas transfer case.

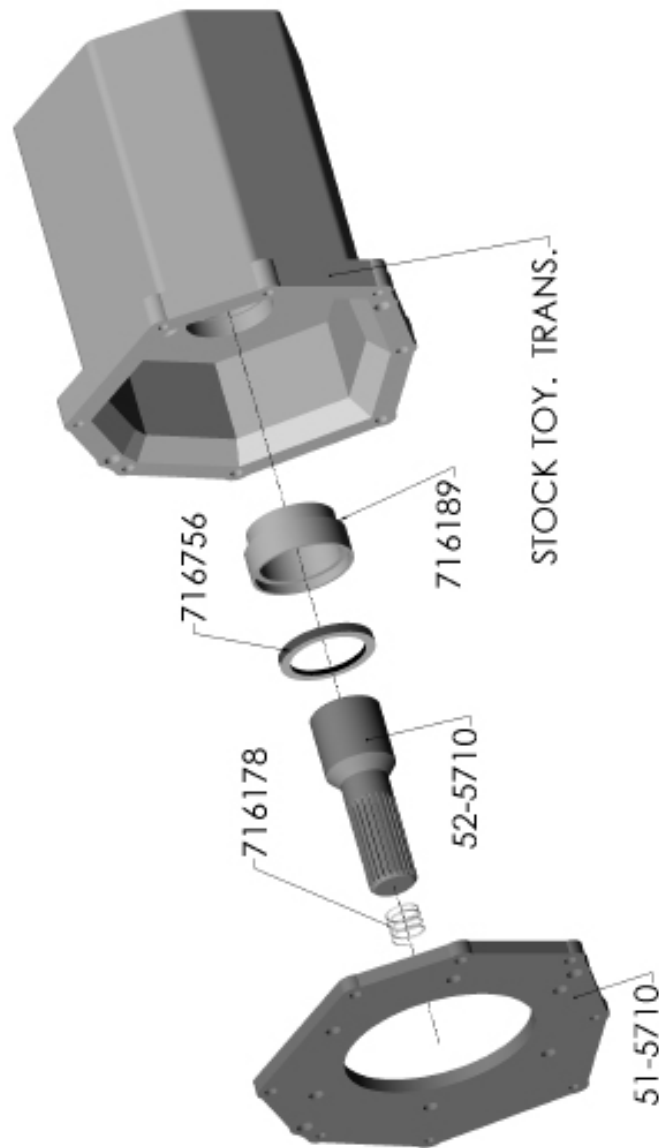


Left hand transfer case.
The shift rod requires a
extension rod to provide
additional clearance.
The Atlas also requires
a speedometer housing
for the transfer case.



SPECIAL NOTE: The components packaged in this kit have been assembled and machined for specific type of conversions. Modifications to any of the components will void any possible warranty or return privileges. If you do not fully understand modifications or changed that will be required to complete your conversion, we strongly recommend that you contact our sales department for more information. This instruction sheet is only to be used for the assembly of Advance Adapter components. We recommend that a service manual pertaining to your vehicle be obtained for specific torque values, wiring diagrams and other related equipment. These manual are normally available at automotive dealerships and parts stores.

TOYOTA TACOMA TRANS TO ATLAS (95-1/2 to 04 3.4L V6 Manual & Auto, 4.7L auto's)



SPECIAL NOTE: The components packaged in this kit have been assembled and machined for specific type of conversions. Modifications to any of the components will void any possible warranty or return privileges. If you do not fully understand modifications or changes that will be required to complete your conversion, we strongly recommend that you contact our sales department for more information. This instruction sheet is only to be used for the assembly of Advance Adapter components. We recommend that a service manual pertaining to your vehicle be obtained for specific torque values, wiring diagrams and other related equipment. These manuals are normally available at automotive dealerships and parts stores.