

ADVANCE ADAPTERS INC.

P.O. Box 247, 4320 Aerotech Center Way
Paso Robles, CA 93447

Telephone: (800) 350-2223 Fax: (805) 238-4201

P/N: 50-6906

New Item: (03/05)

PAGE 1 OF 1

Page Rev. Date: 05-02-13

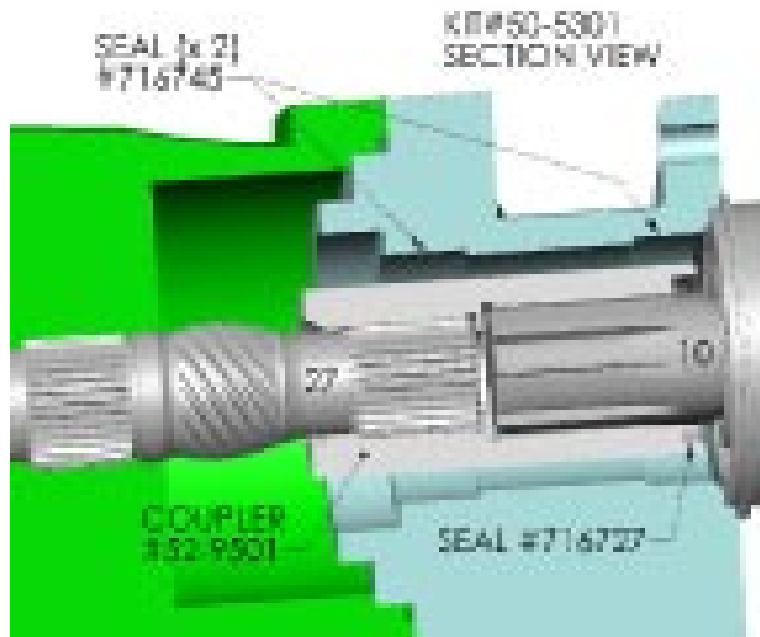
27 SPL. 700R 4 SPEED AUTOMATIC TO 10 SPL. NP205 TRANSFER CASE

KIT CONSISTS OF:

| No. | Qty | Part No. | Description |
|-----|-------|----------|---|
| 1. | 1 | 52-9501 | 27 SPLINE TH350 x 10 SPLINE NP205 ADAPTER COUPLER |
| 2. | 1 | 716727 | SEAL |
| 3. | 1 KIT | 50-6900 | 700R-4 OUTPUT SHAFT KIT |

INSTALLATION INSTRUCTIONS:

This coupler shaft fits into the stock GM TH350 to NP205 adapter housing or can also be used with our 50-5302 adapter housing. It is designed to couple the 700R with our new custom 4WD transmission output shaft to a NP205 that was previously coupled to a SM465 transmission 10 spline.



SPECIAL NOTE: The components packaged in this kit have been assembled and machined for specific type of conversions. Modifications to any of the components will void any possible warranty or return privileges. If you do not fully understand modifications or changes that will be required to complete your conversion, we strongly recommend that you contact our sales department for more information. This instruction sheet is only to be used for the assembly of Advance Adapter components. We recommend that a service manual pertaining to your vehicle be obtained for specific torque values, wiring diagrams and other related equipment. These manuals are normally available at automotive dealerships and parts stores.