



4320 Aerotech Center Way
Paso Robles, CA 93447
Telephone: (800) 350-2223 Fax: (805) 238-4201
PAGE 1 OF 10 Page Rev. Date: 06-12-20
P/N: 716806A

POWER STEERING CONVERSION JEEP UNIV.(minus spud shaft & column yoke)

KIT CONSISTS OF:

Kit is Minus column Yoke, Steering box Spud Shaft &
The U-Joint for the spud shaft.

No.	Qty	Part No.	Description	Optional Items:
1.	1	716810	COLUMN BUSHING	
2.	4	716812	CLAMP (Tie Rod)	716820 Tie Rod End LH thread
3.	1	716817	PITMAN ARM-POWER	716821 Tie Rod End RH thread
4.	1	716819	CENTER SOCKET TIE ROD END	
5.	1	716823	COLUMN MOUNTING PLATE	
6.	2	716824	FRAME ENCLOSURE	
7.	1	716829	SHORT TIE ROD	
8.	1	716830	LONG TIE ROD	
9.	1	716838-BLK	POWER BOX MOUNTING PLATE	
10.	1	716863	STEERING SHAFT-36" COLLAPSIBLE W/O U-JOINT	
11.	4	724324	HIGH COLLAR WASHER	
12.	4	724347	7/16" x 1-1/2" GRD. 8 / 12 PT. BOLTS	

**Kit does not include the Saginaw Steering Box, Steering Hoses or New Tie Rod Ends for Military Replacement.

This kit does not include the steering spud shaft or the column yoke. These items may be different when installing a custom steering column and or using one of the steering boxes we sell or a box from a salvage yard. These items should be ordered separately.

P/N 716834-30 - Spud shaft .730" dia. x 30T (manual & power) (male side is 1" double D as of 5/24/13)

P/N 716834-36 - Spud shaft .730" dia. x 36T (manual)(male side is 1" double D as of 5/24/13)

P/N 716835 - Spud shaft .800" Dia. x 36T (power)(male side is 1" double D as of 4/25/14)

P/N 716843 - Universal Joint 1" DD X 7/8"

P/N 716848 - Universal Joint 3/4" DD X .1"-48 GM

P/N 716849 - Universal Joint 3/4" DD X 1"DD

JEEP SAGINAW STEERING INSTRUCTIONS:

Advance Adapters, Inc. has been manufacturing steering conversion parts for installation of the Saginaw steering boxes into Jeep vehicles for more than twenty years. The parts we furnish are of the highest quality available and we utilize only proven design components for our kits. Before you consider the conversion, we recommend that you thoroughly read and understand the complete procedure. **Do not take short cuts on steering installations.** We recommend that these conversions be installed by a qualified technician. **Do not overlook any details. Remember that the control of your vehicle depends on the steering gear performance. Failure of your steering system can result in severe damage and possibly injury.**

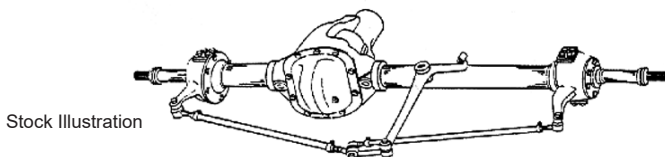
SPECIAL NOTE: The components packaged in this kit have been assembled and machined for specific type of conversions. Modifications to any of the components will void any possible warranty or return privileges. If you do not fully understand modifications or changes that will be required to complete your conversion, we strongly recommend that you contact our sales department for more information. This instruction sheet is only to be used for the assembly of Advance Adapter components. We recommend that a service manual pertaining to your vehicle be obtained for specific torque values, wiring diagrams and other related equipment. These manuals are normally available at automotive dealerships and parts stores.

POWER STEERING CONVERSION JEEP UNIV.(minus spud shaft & column yoke)

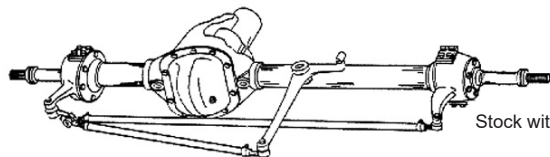
The Saginaw steering conversions for these vehicles is a proven advantage simply because they allow you to have better control of your vehicle both on and off the highway. The problem with stock steering on these vehicles is excessive play or backlash. In addition to offering a sound positive means of controlling your vehicle, it can be performed at a reasonable cost. Additional advantages include exhaust clearance, engine positioning, and custom steering columns. **These kits fit Jeep vehicles only.**

Before you consider this conversion we recommend that you thoroughly read and understand the complete installation procedure. **Do not take shortcuts on steering installations.** We recommend that these conversions be installed by a qualified technician. The control of your vehicle depends on your steering performance. Failure of your steering system can result in severe damage and possible injury.

Most Jeep vehicles had basically the same stock configuration. It is simply a gear box at the base of the steering column which controls a drag link towards the front of the vehicle. The bellcrank is mounted on the front crossmember or axle and uses a push-pull affect for steering. Because there are many motions and joints on this system, excessive free play and backlash develops.



Stock Illustration



Stock with long tie rod

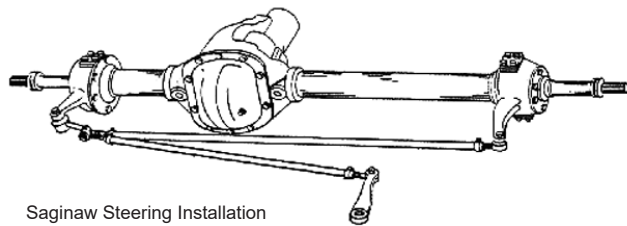
The Saginaw steering system requires the elimination of the stock gear box and bellcrank. The new steering box is mounted on the inside of the left front frame rail, just behind the bumper. Although this sounds simple, there are several things that must be considered before the installation can be completed. Such things include:

Power or manual steering
 Motor mount clearance on steering shaft

Steering column type
 Tie rod size & length

Steering box location
 Winch clearance

On engine conversions that are retaining the original steering box location, you will be locating the engine position as close as possible to the original steering box. When eliminating the original steering box, you will be able to offset the new engine 1" towards the driver's side in order to allow for additional front driveshaft and starter motor clearance. In 1971, Jeep changed their steering design to almost the exact same configuration as the kit that we offer. The difference between the original Jeep installation and our installation is mainly in the design of the mounting bracket for the steering box. Jeep also used a rag joint coupler between the steering box and steering shaft.

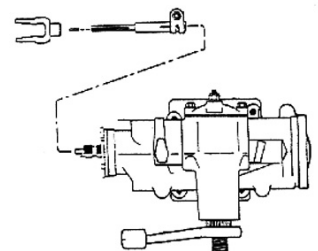


Saginaw Steering Installation

POWER BOX SELECTION:

Make sure the box that you select has the same basic configuration as the one illustrated. Power boxes can be found in the 1960s and early 1970 GM cars, or Jeep vehicles 1972 & newer.

The location of the Saginaw steering box will require a spud shaft. This shaft couples and extends the steering box shaft into the engine compartment. Power boxes have two spline sizes that mate to our spud shaft. This kit does not include a steering spud shaft in it. You will need to order either [P/N 716835](#) which fits a .800" dia. steering shaft with a 36 spline or you will need [P/N 716834-30](#) which fits a .730" dia. steering shaft with a 30 spline. Both of these shafts extend the steering box shaft through the front frame support and into the engine compartment.



Power Steering Box

SPECIAL NOTE: The components packaged in this kit have been assembled and machined for specific type of conversions. Modifications to any of the components will void any possible warranty or return privileges. If you do not fully understand modifications or changes that will be required to complete your conversion, we strongly recommend that you contact our sales department for more information. This instruction sheet is only to be used for the assembly of Advance Adapter components. We recommend that a service manual pertaining to your vehicle be obtained for specific torque values, wiring diagrams and other related equipment. These manuals are normally available at automotive dealerships and parts stores.



4320 Aerotech Center Way
Paso Robles, CA 93447
Telephone: (800) 350-2223 Fax: (805) 238-4201
PAGE 3 OF 10 Page Rev. Date: 07-09-18
P/N: 716806A

POWER STEERING CONVERSION JEEP UNIV.(minus spud shaft & column yoke)

We stock Saginaw power steering boxes from PSC, AGR and the TRITON. These steering boxes are ideal for the offroad enthusiast that uses their vehicle as a daily driver. These units use a large piston and have a 14:1 or 16/13:1 turning ratio. The valving is designed for a more firm and precise steering effort. This gives you more stability and control at highway speeds, and less oversteer offroad. These units also help stabilize larger tires giving the vehicle a more stable feel on the highway. The PSC boxes are new and the Triton & AGR boxes are rebuilt.

- P/N 716880 - AGR 16/13:1 Saginaw power steering box with flare fittings (.800 dia., 36 spline input shaft)
- P/N 716881 - AGR 16/13:1 Saginaw power steering box with o-ring fittings (.800 dia., 36 spline input shaft)
- P/N 716881-P - PSC 14:1 Saginaw power steering box with o-ring fittings (.730 dia., 36 spline input shaft)
- P/N 716882 - Triton 16/13:1 Saginaw power steering box with o-ring fittings (.730 dia., 30 spline input shaft)

We also offer a complement power steering pump from PSC. These pumps work well when combined with the steering boxes mentioned above. Larger cam packed with a larger rotor and vanes enables these pumps to flow 3.4 gallons per minute, and produce 1500 psi. The custom ported housing makes for less flow restriction, allowing the pump to run stronger and cooler.

- P/N 716885-P - Power steering pump w/ o-ring fitting, (does not include pulley)
- P/N 716886-P - Power steering pump w/ o-ring fitting and remote reservoir, (does not include pulley)

Power Steering Hoses

- P/N 716887-P - Power steering pressure hose kit for o-ring box
- P/N 716888-P - Power steering return hose kit for o-ring box
- P/N 716889-P - Power steering heat sink cooler kit

STEERING COLUMNS:

The stock steering column is the easiest option when installing the Saginaw steering. If you are planning to use a custom steering column, some fabrication will be necessary for mounting.

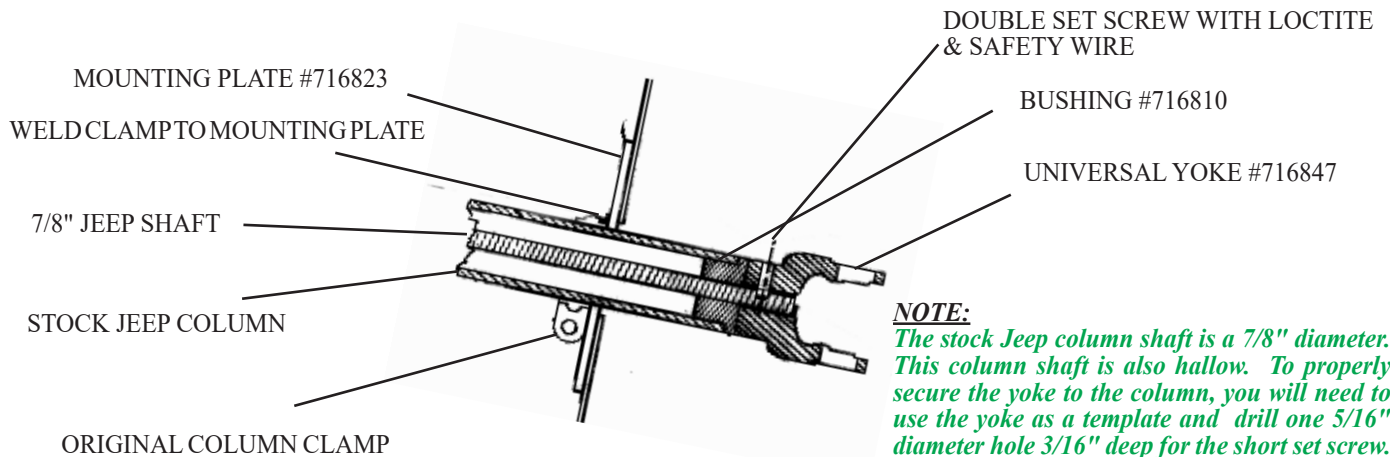
The stock steering column protrudes through the firewall and into the engine compartment where it enters the stock Jeep worm gear steering mechanism. The steering box must be disassembled so that the worm portion of the steering column shaft can be cut off. Once removed, the end of the shaft must be machined to fit the universal joint provided. The diameter of this shaft must be machined to fit a 7/8" (.875") universal joint.

After the shaft has been machined, the column can be reassembled with the modified shaft. To support the shaft in the center of the column, a bushing (P/N 716810) fits into the column housing with a precision fit on the shaft. Make sure the bushing and the shaft have sufficient clearance for easy turning. The column will then need to be assembled into the support plate. The new steering shaft bushing must be installed into the bottom of the steering column so that alignment and support of the shaft is maintained.

With the bushing in place, you can now install the universal yoke. Slip the yoke in position onto the shaft and firmly up against the bushing. Before tightening the set screw, have someone push the steering wheel downward. You will find that the column has a slight spring tension. Make sure that the tension will provide a slight pressure of the universal yoke against the bushing. We require the universal yoke installation to have a spot drilled in line with the set screw. **Failure to make each yoke installation as specified could result in the loss of control of the vehicle.**

SPECIAL NOTE: The components packaged in this kit have been assembled and machined for specific type of conversions. Modifications to any of the components will void any possible warranty or return privileges. If you do not fully understand modifications or changes that will be required to complete your conversion, we strongly recommend that you contact our sales department for more information. This instruction sheet is only to be used for the assembly of Advance Adapter components. We recommend that a service manual pertaining to your vehicle be obtained for specific torque values, wiring diagrams and other related equipment. These manuals are normally available at automotive dealerships and parts stores.

POWER STEERING CONVERSION JEEP UNIV.(minus spud shaft & column yoke)



NOTE:

The stock Jeep column shaft is a 7/8" diameter. This column shaft is also hollow. To properly secure the yoke to the column, you will need to use the yoke as a template and drill one 5/16" diameter hole 3/16" deep for the short set screw. The second hole for the long set screw needs to be drilled with a 19/64" drill through one side of the column shaft. This set screw is then installed through the yoke and one side of the column shaft tighten up on the opposite inside wall of the stock column. Once both set screws are installed tighten the jam nut and locktite to secure.

CUSTOM STEERING COLUMNS:

Custom columns offer several distinct advantages. The advantages include locks, tilts, flashers, and custom vehicle appearance. However, they do create some problems and require careful consideration when mounting them to the floorboard and universal joint connection.

Universal joints are available to match nearly every style steering column available. The special spline size on some of the custom columns will require a new U-joint. We offer a wide selection of various sizes. The new universal joint is supplied with a mating connection that will fit the new 3/4" DD steering shaft. If a custom column is being used and you have already purchased the stock Jeep 7/8" diameter column yoke, you will then need to exchange your universal joint for the one that will be required on your installation. We offer special yoke assemblies to connect a custom steering column to our Saginaw steering components.

P/N 716848 - 1" 48 spline Universal yoke (GM columns)

P/N 716849 - 1" DD x 3/4" DD Universal yoke (GM and Ford)

P/N 716850 - 3/4" x 36 spline Universal yoke (GM and Ford)

(The dimensions represent the column side of these yokes only. The opposite side of these yokes is a 3/4" DD)

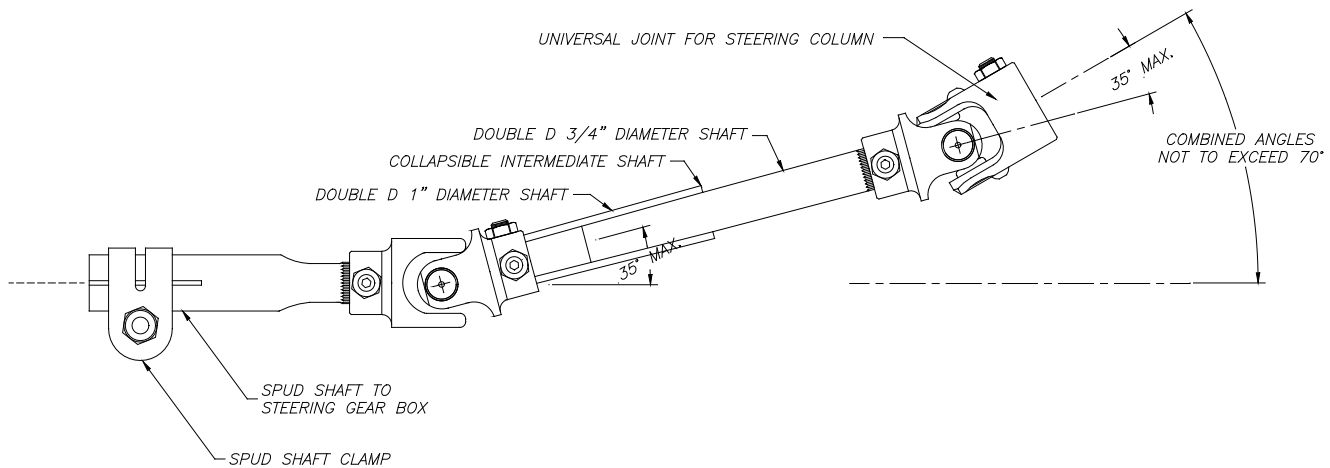
SPECIAL NOTE: The components packaged in this kit have been assembled and machined for specific type of conversions. Modifications to any of the components will void any possible warranty or return privileges. If you do not fully understand modifications or changes that will be required to complete your conversion, we strongly recommend that you contact our sales department for more information. This instruction sheet is only to be used for the assembly of Advance Adapter components. We recommend that a service manual pertaining to your vehicle be obtained for specific torque values, wiring diagrams and other related equipment. These manuals are normally available at automotive dealerships and parts stores.

POWER STEERING CONVERSION JEEP UNIV.(minus spud shaft & column yoke)

STEERING SHAFT:

The control shaft between the end of the column and the steering box spud shaft is defined as the steering shaft.

With each kit, we have provided a 3/4" DD X 1" DD shaft that has a length of 36". The shaft can be shortened to the necessary length for your installation. The new shaft assembly has a 3/4" DD end that will need to fit into the steering column universal joint. Use the same procedure to spot drill both of the set screws, and Loctite the connections with the two lock nuts. The lower connection Use the same procedure to spot drill both of the set screws, and Loctite the connections with the two lock nuts. Always use Loctite on the double set screws and lock nuts for all universal yoke connections. [P/N 716863](#)



[P/N 716841](#) - Universal Joint (1" DD X 1" DD)
[P/N 716844](#) - Universal Joint 3/4" DD X .800 36 Spline
[P/N 716847](#) - Jeep column shaft 3/4" DD x 7/8"
[P/N 716853](#) - Universal Joint 3/4" DD x 3/4" - 30

[P/N 716843](#) - Universal Joint 1" DD X 7/8"
[P/N 716845](#) - Universal Joint 1" DD X .3/4 - 36 Spline
[P/N 716846](#) - Universal Joint 1" DD X .800 36 Spline
[P/N 716854](#) - Universal Joint 1" DD X 3/4" - 30

ROUTING THE STEERING SHAFT:

Routing the steering driveshaft may seem simple, but care should be taken as to the actual routing. On some Jeep installations, it may be necessary to go directly through the motor mount. Routes may be adjusted by changing the angle of the steering box slightly, or by extending the universal yoke from the column bushing with a spacer. Before any final route is decided, be sure to allow for suspension travel and engine movement. On some conversions, a third universal yoke might be considered along with a bearing pillow block.

Manifold clearance on Jeeps with a stock 225 V6. The steering shaft can have some exhaust clearance issues on some Jeeps. One that was brought to our attention is the Jeep 225 V6 with a Sawinaw steering swap. The steering shaft hits the stock manifold, two options for clearance would be switch to exhaust headers for the Jeep or switch to a Buick 231 1975 and newer rear wheel drive vehicle manifold.

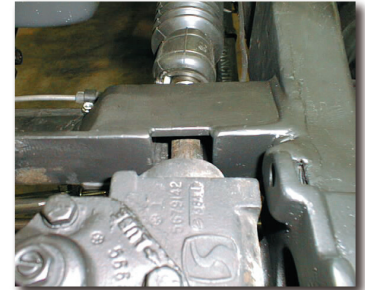


SPECIAL NOTE: The components packaged in this kit have been assembled and machined for specific type of conversions. Modifications to any of the components will void any possible warranty or return privileges. If you do not fully understand modifications or changes that will be required to complete your conversion, we strongly recommend that you contact our sales department for more information. This instruction sheet is only to be used for the assembly of Advance Adapter components. We recommend that a service manual pertaining to your vehicle be obtained for specific torque values, wiring diagrams and other related equipment. These manuals are normally available at automotive dealerships and parts stores.

POWER STEERING CONVERSION JEEP UNIV.(minus spud shaft & column yoke)

FRONT CROSSMEMBER:

The early Jeeps used a bell crank mounted on the front crossmember, and this crossmember was originally located in the engine compartment. If an engine swap has been performed, we recommend installing a new crossmember located further forward, directly in line with the front grill. When installing the Saginaw conversion, this new crossmember will require an access hole that is roughly 2-1/2" in diameter to provide clearance for the steering spud shaft clamp. This access hole allows the steering spud shaft to extend through and into the engine compartment. In most cases, the front crossmember must be reinforced on both the top & bottom because of the diameter of the access hole.



STEERING BOX LOCATION:

The power steering box will require every bit of space between the bumper and front crossmember. It will usually require you to modify the lower flange of the front bumper by notching it for added clearance. The actual positioning of the steering box should be accomplished by bolting the box to the plate provided, and then temporarily clamping the plate and box to the inner frame rail until an ideal position is achieved. Make sure this position allows the steering spud shaft to extend through the front crossmember and into the engine compartment. Once in position, the plate must be completely welded to the frame. **Since this plate encounters extreme forces from the steering system, the welding of this plate should be done by a certified welder.**

We have provided a pair of 3/16" thick steel frame enclosures to box in both of your frame rails, providing a good base for welding the steering box mounting plate. The steering box mounting plate must have a solid surface for welding and positioning. The extra plate is simply supplied for boxing of the passenger side frame rail. On vehicles equipped with winches, it may be necessary to offset the winch bumper to allow for the steering box clearance.

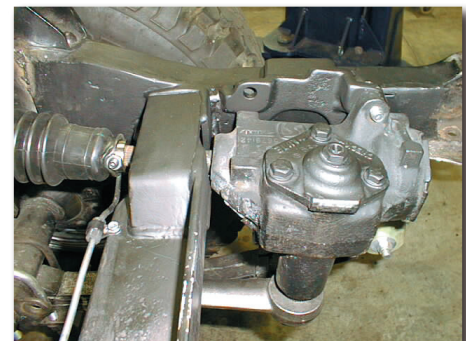
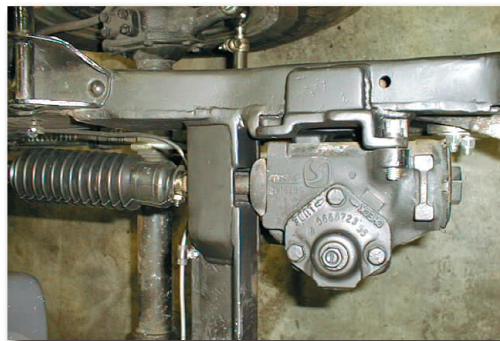
When using the mounting plate, [P/N 716838](#), you will be required to have this plate welded onto your frame rail. This plate is 1020 cast steel so that a good weld can be made. These welds should be made only by a qualified welder. Do not short change your installation with a poor quality weld of these mounting plates to your frame rail. The plates should be welded along the complete perimeter.

SAGINAW STEERING BOXES:

Power and Manual steering gear boxes are very similar. We have already illustrated what the box should look like. The steering box must be able to mount on the inside frame rail of your vehicle, with the input shaft extending horizontally toward the firewall. This input shaft is normally not long enough to extend fully into the engine compartment to couple with the steering driveshaft. This is why we offer steering spud shafts to extend these steering input shafts.

On power steering boxes, you will be required to use four bolts when using our mounting plate, [P/N 716838](#). The 4 bolts must be installed from the bracket side into the steering box. Some of the newer Chevy boxes come only with a 3 bolt mounting flange. This is similar to the manual steering boxes. [P/N 716838](#) will still work on these boxes.

DO NOT drill out the threads in the power steering box assembly.



SPECIAL NOTE: The components packaged in this kit have been assembled and machined for specific type of conversions. Modifications to any of the components will void any possible warranty or return privileges. If you do not fully understand modifications or changes that will be required to complete your conversion, we strongly recommend that you contact our sales department for more information. This instruction sheet is only to be used for the assembly of Advance Adapter components. We recommend that a service manual pertaining to your vehicle be obtained for specific torque values, wiring diagrams and other related equipment. These manuals are normally available at automotive dealerships and parts stores.



4320 Aerotech Center Way
Paso Robles, CA 93447
Telephone: (800) 350-2223 Fax: (805) 238-4201
PAGE 7 OF 10 Page Rev. Date: 07-09-18
P/N: 716806A

POWER STEERING CONVERSION JEEP UNIV.(minus spud shaft & column yoke)

TIE RODS:

Each of our kits include the necessary long & short tie rods for your conversion. The long tie rod connects the two front wheels, while the other connects the Pitman arm to the passenger side steering knuckle/center socket tie rod. Both tie rods are manufactured with both a right & left hand thread to assist in proper alignment. The Pitman arm that we have furnished with your kit has exactly the same taper that the Jeep tie rod ends have. Care should be taken for the proper fit of the tie rod end's taper and threads when installing into the Pitman arm. In some cases, it may be necessary to use two or three washers on the top side of the Pitman Arm so that the threads on the tie rod end will secure the proper taper fit. All tie rod ends must be secured with a castle nut and cotter pin. All tie rod-to-tie rod end connections must have a tie rod clamp installed with a bolt, lock washer, and nut. **We DO NOT find it acceptable to cut and weld the tie rods.**

PITMAN ARMS:

The steering box Pitman arms vary from power to manual, and are not interchangeable. The Pitman arm supplied in each kit is for use on vehicles that are not equipped with a suspension lift. If your vehicle requires a dropped Pitman Arm, then we suggest that you contact a suspension lift company. **We DO NOT find it acceptable to cut or bend our Pitman Arms.**

POWER STEERING PUMPS:

There are only a few pumps available and most are interchangeable. We recommend the purchase of the power steering pump and steering box as a pair if possible. For proper installation, we recommend the hose kits from PSC. The hardware for mounting the pump to the engine can be standard parts from Chevy & Ford engines.

TURNING ANGLE ADJUSTMENT:

To avoid damage to the outer axle U-joints, it is advisable that you check the turning angle. The following is a list of the correct turning angles.

CJ2A, CJ3A	23 Degrees	CJ5	Up to Serial No. 57548-48284, 23 Degrees
CJ3B	Up to Serial No. 57348-35326, 23 Degrees	CJ5	After Serial No. 57548-48284, 27.5 Degrees
CJ3B	After Serial No. 57348-35326, 27.5 Degrees	CJ6	Up to Serial No. 57748-12497, 23 Degrees
		CJ6	After Serial No. 57748-12497, 27.5 Degrees

To adjust the turning angle stops, loosen the lock nut and turn the adjustment screw. On some early models, a secured weld will have to be broken. The adjusting screw is located on the axle tube near the knuckle housing. For further detailed information, refer to your vehicle service manual.

CASTER ADJUSTMENT:

The purpose of the caster adjustment is to provide steering stability, which will keep the front wheels in a straight ahead position. It also assists in straightening the wheels after making a turn. If the angle of the caster is found to be incorrect, correct it to the specifications given in your service manual. The correct angle is obtained by installing caster shims between the axle pad and the springs. If the camber and the toe-in are correct and it is known that the axle is not twisted, a check may be made by testing the vehicle on the road. Before road testing, make sure that the tires are properly inflated at the same pressure. If the vehicle turns easy to either side, but is hard to straighten out, insufficient caster for ease of handling is indicated. If correction is necessary, it can be accomplished by changing the shims between the spring and axle pads.

SPECIAL NOTE: The components packaged in this kit have been assembled and machined for specific type of conversions. Modifications to any of the components will void any possible warranty or return privileges. If you do not fully understand modifications or changes that will be required to complete your conversion, we strongly recommend that you contact our sales department for more information. This instruction sheet is only to be used for the assembly of Advance Adapter components. We recommend that a service manual pertaining to your vehicle be obtained for specific torque values, wiring diagrams and other related equipment. These manuals are normally available at automotive dealerships and parts stores.



4320 Aerotech Center Way
Paso Robles, CA 93447
Telephone: (800) 350-2223 Fax: (805) 238-4201
PAGE 8 OF 10 Page Rev. Date: 07-09-18
P/N: 716806A

POWER STEERING CONVERSION JEEP UNIV.(minus spud shaft & column yoke)

TOE-IN ADJUSTMENT:

Lift the front of the vehicle to raise the front tires off of the ground. Turn the wheels to the straight ahead position. Using a pencil or chalk, scribe a line in the center of each tire tread. The mark should circle the entire diameter of the tire. Measure the distance between the scribe lines at the front and rear of the wheels, using care that both measurements are made at an equal distance from the floor level. The distance between the lines should be greater at the rear than at the front by 3/64" to 3/32". To adjust, loosen the clamp bolts and turn the long tie rod with a small pipe wrench. The tie rod is threaded with right hand and left hand threads to provide equal adjustment at both wheels. **Do not overlook the retightening of the two clamp bolts.** It is a common practice to measure between the wheel rims. This is satisfactory providing the wheels run true. By scribing a line on the tire thread, a measurement is taken between the road contact points reducing error caused by wheel rim run out.

It is recommended to have the alignment done by a qualified technician.

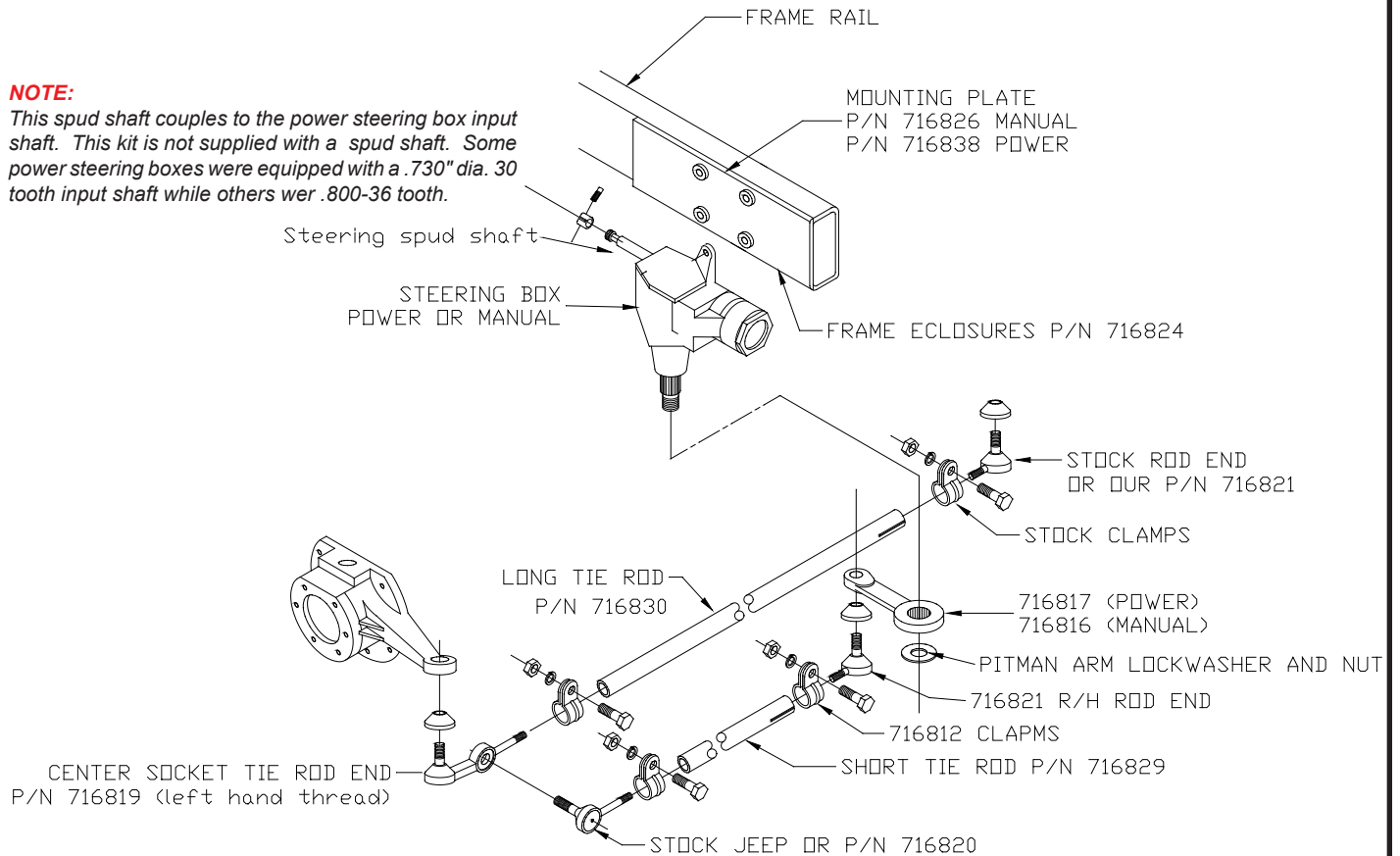


SPECIAL NOTE: The components packaged in this kit have been assembled and machined for specific type of conversions. Modifications to any of the components will void any possible warranty or return privileges. If you do not fully understand modifications or changes that will be required to complete your conversion, we strongly recommend that you contact our sales department for more information. This instruction sheet is only to be used for the assembly of Advance Adapter components. We recommend that a service manual pertaining to your vehicle be obtained for specific torque values, wiring diagrams and other related equipment. These manuals are normally available at automotive dealerships and parts stores.

POWER STEERING CONVERSION JEEP UNIV.(minus spud shaft & column yoke)

NOTE:

This spud shaft couples to the power steering box input shaft. This kit is not supplied with a spud shaft. Some power steering boxes were equipped with a .730" dia. 30 tooth input shaft while others wer .800-36 tooth.



SPECIAL NOTE: The components packaged in this kit have been assembled and machined for specific type of conversions. Modifications to any of the components will void any possible warranty or return privileges. If you do not fully understand modifications or changes that will be required to complete your conversion, we strongly recommend that you contact our sales department for more information. This instruction sheet is only to be used for the assembly of Advance Adapter components. We recommend that a service manual pertaining to your vehicle be obtained for specific torque values, wiring diagrams and other related equipment. These manuals are normally available at automotive dealerships and parts stores.

POWER STEERING CONVERSION JEEP UNIV.(minus spud shaft & column yoke)

Installation Tips

We recommend Weldless DD and Double Splined universal joints for the best steering system.

Weldless DD universal joint features two set screws for maximum holding power. Position yoke, tighten set screws to mark the shaft. Remove yoke and drill the set point on the shaft. When installing the universal joint, set screws are tightened into the countersink mark, then tighten the jam nut and the shaft will not move. We recommend the use of Loctite.

Spline both ends (3/4"-36) universal joint is the preferred design, as it allows the shaft to be rotated in small increments during installation to properly align or phase the steering system. Once the steering is set, tighten set screws to mark the shaft. Remove yoke and drill the set point on the shaft. When installing the universal joint, set screws are tightened into the countersink mark, then tighten the jam nut and the shaft will not move. We recommend the use of Loctite.

Optional Equipment

716863 - Collapsible Steering Shaft 3/4" DD X 1" DD
(comes without any universal joints)

716841 - Universal Joint (1" DD X 1"DD)
716843 - Universal Joint (1" DD X 7/8")
716844 - Universal Joint (3/4" DD X .800" 36 spline)
716845 - Universal Joint (1" DD X 3/4" 36 spline)
716846 - Universal Joint (1" DD X .800" 36 spline)
716848 - Universal Joint (3/4" DD X 1" 48 spline)
716849 - Universal Joint (3/4" DD X 1" DD)
716850 - Universal Joint (3/4" DD X 3/4" 36 spline)
716851 - Universal Joint (3/4" DD X 3/4" DD)
716852 - Universal Joint (3/4" 36 spline X 3/4" 36 Spl.)



Steering Boxes & Pumps

716881-P - Post 1980 Saginaw box.
O-RING FITTINGS
(3/4" 30 spline actuator)
716882 - Post 1980 Saginaw box.
O-RING FITTINGS
(3/4" 30 spline actuator)
716885-P -Saginaw pump w/
O-RING fittings
716886-P -Saginaw pump w/
o-ring/remote res.
716887-P -Press Hose kit
716888-P -Return Hose kit

A FEW NOTES

- ****Phasing**-Keep the forks of the yokes closest to each other in line and parallel to the centerline of the shaft to avoid binding.
- ** Always use the **minimum angle** when designing your system - ideally 10 degrees or less, NEVER MORE THAN 35 DEGREES
- ****NEVER WELD** a universal joint. Welding reduces the strength of the metal and can melt the needle bearing seal.
- ****BUFFING** creates a very attractive finish in a matter of minutes. It is very important not to buff the caps because over heating may damage the bearing seals.

SPECIAL NOTE: The components packaged in this kit have been assembled and machined for specific type of conversions. Modifications to any of the components will void any possible warranty or return privileges. If you do not fully understand modifications or changes that will be required to complete your conversion, we strongly recommend that you contact our sales department for more information. This instruction sheet is only to be used for the assembly of Advance Adapter components. We recommend that a service manual pertaining to your vehicle be obtained for specific torque values, wiring diagrams and other related equipment. These manuals are normally available at automotive dealerships and parts stores.