

ADVANCE ADAPTERS INC.

P.O. Box 247, 4320 Aerotech Center Way
Paso Robles, CA 93447

Telephone: (800) 350-2223 Fax: (805) 238-4201

P/N: 50-5304

Old Part No:

PAGE 1 OF 1

Page Rev. Date: 01-17-11

27 SPL. TH350 3 SPEED AUTOMATIC TO 10 SPL. NP205 TRANSFER CASE

KIT CONSISTS OF:

No.	Qty	Part No.	Description
1.	1	52-9501	27 SPLINE TH350 x 10 SPLINE NP205 ADAPTER COUPLER
2.	1	716727	SEAL

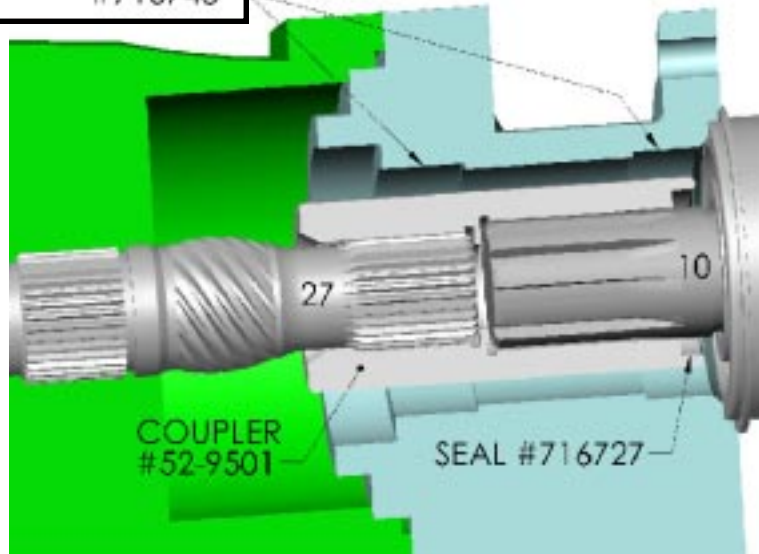
INSTALLATION INSTRUCTIONS:

This coupler shaft fits into the stock GM TH350 to NP205 adapter housing or can also be used with our 50-5302 adapter housing. It is designed to couple the 4WD TH350 transmission output shaft to a NP205 that was previously coupled to a SM465 transmission 10 spline. The seal is installed into the coupler with the spring side exposed towards the transfer case.

These two seals are the stock seals or can be purchased from us under the part number listed below

SEAL (x 2)
#716745

KIT#50-5301
SECTION VIEW



SPECIAL NOTE: The components packaged in this kit have been assembled and machined for specific type of conversions. Modifications to any of the components will void any possible warranty or return privileges. If you do not fully understand modifications or changes that will be required to complete your conversion, we strongly recommend that you contact our sales department for more information. This instruction sheet is only to be used for the assembly of Advance Adapter components. We recommend that a service manual pertaining to your vehicle be obtained for specific torque values, wiring diagrams and other related equipment. These manuals are normally available at automotive dealerships and parts stores.