

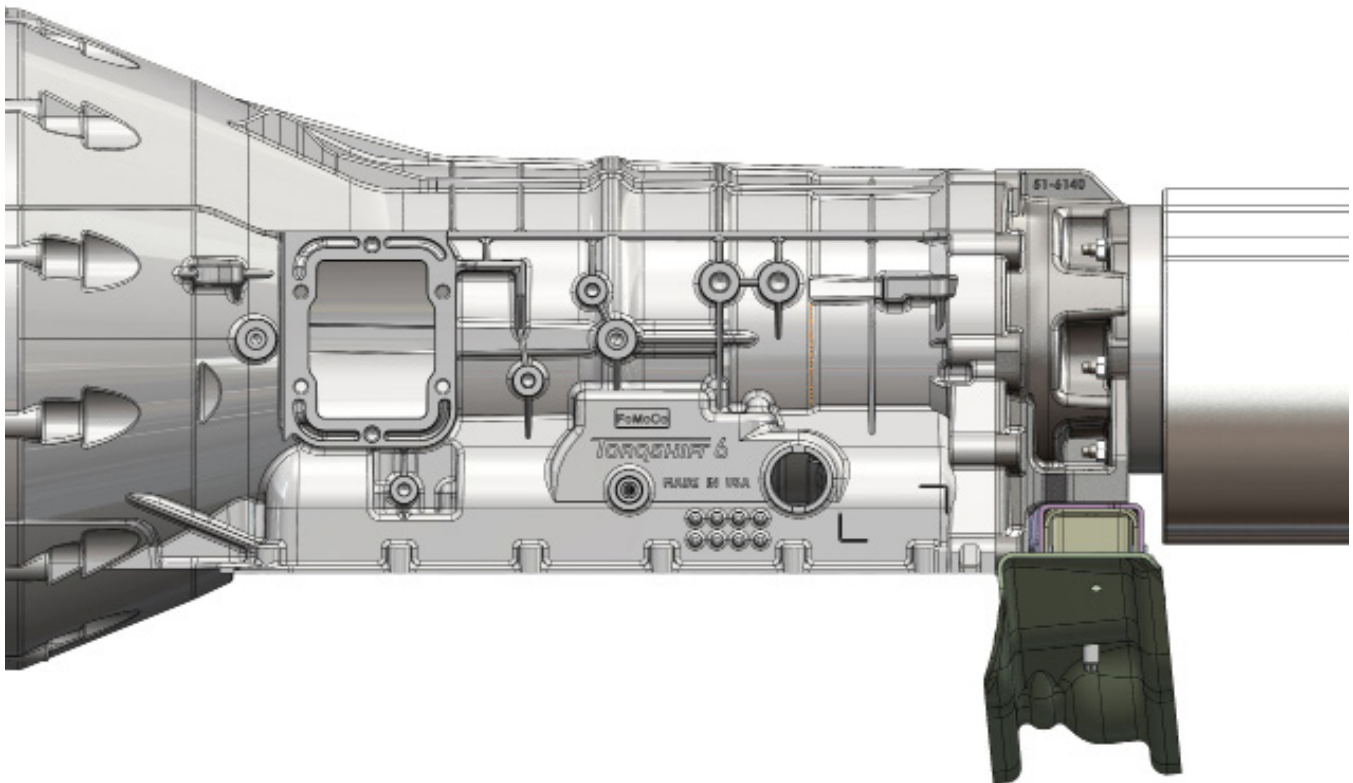
6R140 TO 4X4 TO ATLAS 10R140 TO 4X4 TO ATLAS

KIT CONSISTS OF:

No.	Qty	Part No.	Description
1.	1	716111	DOWEL 51-3900 & 51-6140 ALIGNMENT
2.	1	51-6140	ADAPTER- 6R140 TO ATLAS T-CASE

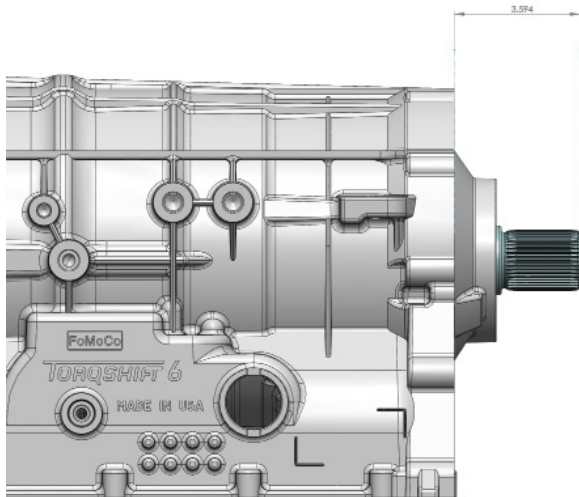
Our adapter kit works with the 4WD transmission version only. The new adapter kit uses the factory bolts to fasten the adapter to the transmission. Note, make sure you install the one bolt located at 6 o'clock. The factory rubber mount will be retained from the Ford and bolted to our adapter.

The 10R140 transmission output shaft is slightly longer than the 6R140. The 10R140 will require a spacer adapter AS-8610. This .500" adapter will allow the Atlas to properly engage the 10R140 transmission output shaft.

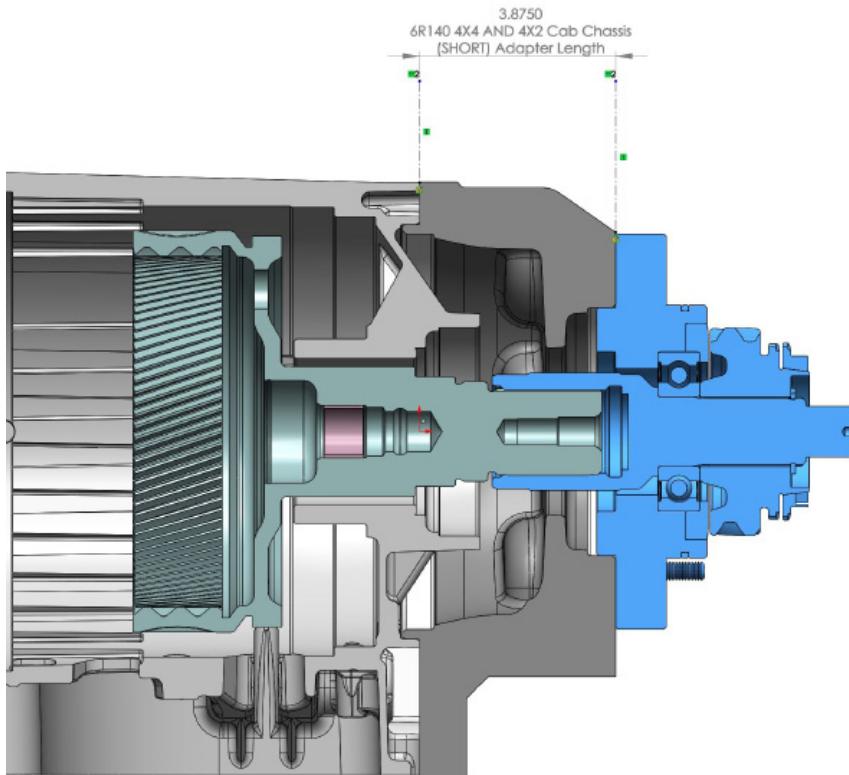


SPECIAL NOTE: The components packaged in this kit have been assembled and machined for specific type of conversions. Modifications to any of the components will void any possible warranty or return privileges. If you do not fully understand modifications or changes that will be required to complete your conversion, we strongly recommend that you contact our sales department for more information. This instruction sheet is only to be used for the assembly of Advance Adapter components. We recommend that a service manual pertaining to your vehicle be obtained for specific torque values, wiring diagrams and other related equipment. These manuals are normally available at automotive dealerships and parts stores.

**6R140 TO 4X4 TO ATLAS
10R140 TO 4X4 TO ATLAS**



10R140 connected to the Atlas. the lower photo shows the gap from the splines of the transmission to the Atlas input. AS-8610 will allow the two to mate correctly



SPECIAL NOTE: The components packaged in this kit have been assembled and machined for specific type of conversions. Modifications to any of the components will void any possible warranty or return privileges. If you do not fully understand modifications or changes that will be required to complete your conversion, we strongly recommend that you contact our sales department for more information. This instruction sheet is only to be used for the assembly of Advance Adapter components. We recommend that a service manual pertaining to your vehicle be obtained for specific torque values, wiring diagrams and other related equipment. These manuals are normally available at automotive dealerships and parts stores.