



P.O. Box 247, 4320 Aerotech Center Way
Paso Robles, CA 93447
Telephone: (800) 350-2223 Fax: (805) 238-4201
PAGE 1 OF 3 Page Rev. Date: 06-28-21
P/N: 50-9900

Jeep JL & JT 850RE-8 Speed and Dodge Trucks w/ an 8HP70 8 speed, to Atlas

KIT CONSISTS OF:

No.	Qty	Part No.	Description
1	51-9900		850RE 8-Speed AT & DODGE 8HP870 8-Speed TO ATLAS
1	52-9901		SHAFT- JEEP 23 FEMALE X JEEP 23 MALE
1	716308		SEALED BEARING 209RS
1	716450		SNAP RING (T350 & T400)
1	716456		TRUE ARC SNAP RING

Jeep JL & JT automatic to Atlas 2 speed: The Jeep JL with the 850RE 8-speed automatic is coupled to a Magna transfer case. This is the first year Jeep went away from its standard circular bolt pattern when coupling these two gear boxes. So this required us to manufacture a new adapter housing to couple the Atlas to the 8 speed automatic. **P/N 50-9900** adapts the 850RE to a Atlas 23 spline standard input. The 7.75" adapter also provides the needed length to clear the transmission cooling system.

Dodge 8HP870 8-speed to Atlas adapter: The Dodge 1500 series pick-ups used a similar transmission to what was used in the Jeep JL's. Adapter kit **P/N 50-9900** will adapt to this transmission giving you the circular pattern. The adapter have a few holes that are slotted to fit both the Jeep and Dodge application.

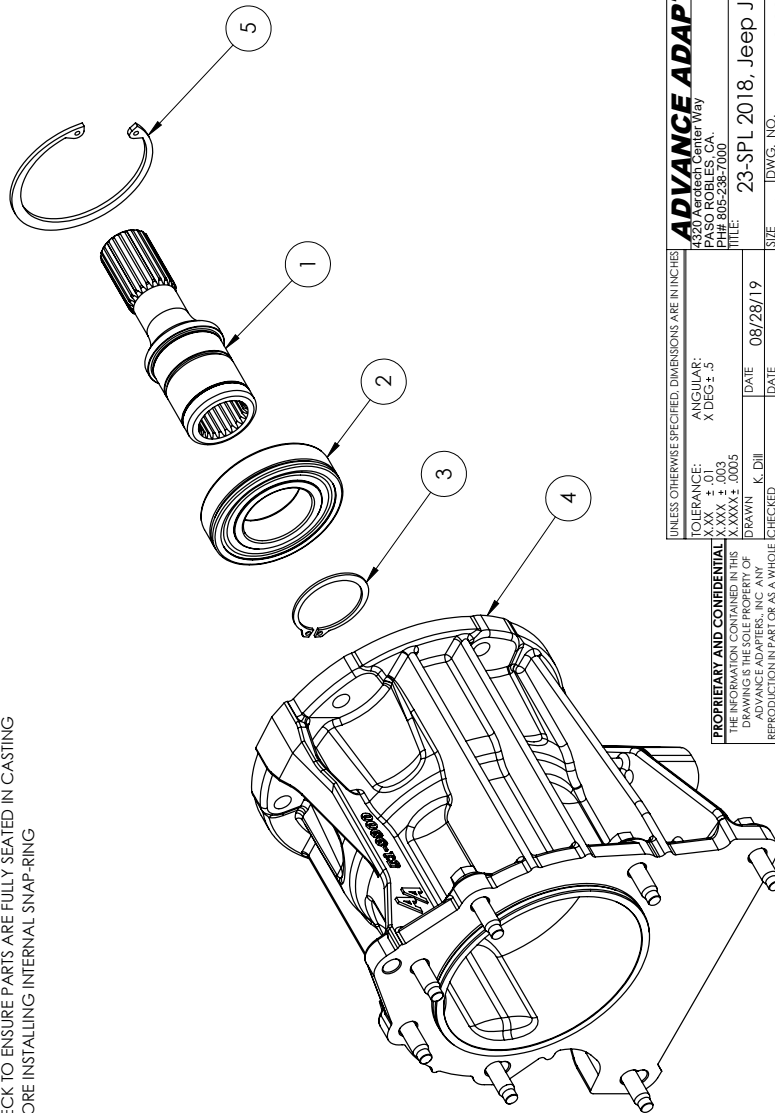
We offer a new yoke to retain the stock GKN driveshafts **P/N AFJL**. The adapter puts the Atlas in a similar location as factory, allowing you to retain the factory driveshafts. These yokes can be swapped out for any Spicer yoke down the road, but it now allows the Jeep equipped Atlas to be back on the road within a day. The complete install of the transfer case is approximately 6 hours and the shifter 1 to 2 hours. The pre-configured unit we offer comes complete with the parts listed above. The Atlas is built with a **23 spline standard input**. The complete install of the transfer case is approximately 6 hours and the shifter 1 to 2 hours.

SPECIAL NOTE: The components packaged in this kit have been assembled and machined for specific type of conversions. Modifications to any of the components will void any possible warranty or return privileges. If you do not fully understand modifications or changes that will be required to complete your conversion, we strongly recommend that you contact our sales department for more information. This instruction sheet is only to be used for the assembly of Advance Adapter components. We recommend that a service manual pertaining to your vehicle be obtained for specific torque values, wiring diagrams and other related equipment. These manuals are normally available at automotive dealerships and parts stores.

Jeep JL & JT 850RE-8 Speed and Dodge Trucks w/ an 8HP70 8 speed, to Atlas

ITEM NO.	PART NUMBER	DESCRIPTION	QTY.
1	52-9901	SHAFT, Jeep 23 TO 23-SPLINE COUPLER	1
2	716808	BEARING, 209 SEALED	1
3	716450	SNAP-RING, EXTERNAL	1
4	51-9900	ADAPTER, Jeep 2018 JL & 2019 JT	1
5	716456	SNAP-RING, INTERNAL	1

NOTES:
 1) BEGIN BY ASSEMBLING SHAFT & SUPPORT BRG. PRESS BRG ON TO SHAFT UNTIL FULLY SEATED. THEN, INSTALL SMALL EXTERNAL SNAP-RING
 2) FINAL ASSEMBLY, CLEAN CASTING AND MATING PARTS TO ENSURE PARTS ARE FREE FROM BURRS OR DEBRIS. INSTALL SUPPORT BRG. AND SHAFT ASSEMBLED IN STEP 1 CHECK TO ENSURE PARTS ARE FULLY SEATED IN CASTING BEFORE INSTALLING INTERNAL SNAP-RING



UNLESS OTHERWISE SPECIFIED, DIMENSIONS ARE IN INCHES

TO TOLERANCE: ANGULAR: ADVANCE ADAPTERS, INC.
 X.XX ± .01 4320 Aerotech Center Way
 X.DEG ± .5 PASO ROBLES, CA
 X.XXX ± .003 P.O. BOX 247
 X.XXXX ± .0005 P.H. 805-238-7000

DATE: 08/28/19 TITLE: 23-SPL 2018, Jeep JL & 19 Jeep JT
 CHECKED: K. DILL DATE: DATE: REV: A
 MATERIAL: N/A M. PART/DRIDGE FRESH DWG. NO.: 50-9900
 SCALE: 1:1 WEIGHT: Lbs SHEET 1 OF 1

PROPRIETARY AND CONFIDENTIAL
 THE INFORMATION CONTAINED IN THIS DRAWING IS THE SOLE PROPERTY OF ADVANCE ADAPTERS, INC. ANY REPRODUCTION IN PART OR AS A WHOLE WITHOUT THE WRITTEN PERMISSION OF ADVANCE ADAPTERS, INC IS PROHIBITED.

SPECIAL NOTE: The components packaged in this kit have been assembled and machined for specific type of conversions. Modifications to any of the components will void any possible warranty or return privileges. If you do not fully understand modifications or changes that will be required to complete your conversion, we strongly recommend that you contact our sales department for more information. This instruction sheet is only to be used for the assembly of Advance Adapter components. We recommend that a service manual pertaining to your vehicle be obtained for specific torque values, wiring diagrams and other related equipment. These manuals are normally available at automotive dealerships and parts stores.

Removed the stock transfer case. Support the stock drivetrain up by the transmission as you will need to remove the transmission crossmember and skid pan. After the skid pan is removed, you should be able to remove the driveshafts from the stock transfer case. If retaining the stock driveshafts, these can be left connected to the axles.

Remove the crossmember and then unbolt and remove the transfer case. Note: If you are able to lower the rear side of the drivetrain a bit, it will provide better access to the transfer case to transmission bolts. The stock transfer case shifter linkage also needs to be removed.

Install the new adapter housing using the factory bolts. We recommend not connecting the crossmember back to the frame until the Atlas is installed. The bolts that are closest to the floorboard are hard to tighten if the drivetrain is back in the stock position.

