

ADVANCE ADAPTERS INC.

P.O. Box 247, 4320 Aerotech Center Way

Paso Robles, CA 93447

Telephone: (800) 350-2223 Fax: (805) 238-4201

P/N: 50-2501

New Item: (10/96)

PAGE 1 OF 1

Page Rev. Date: 02-20-03

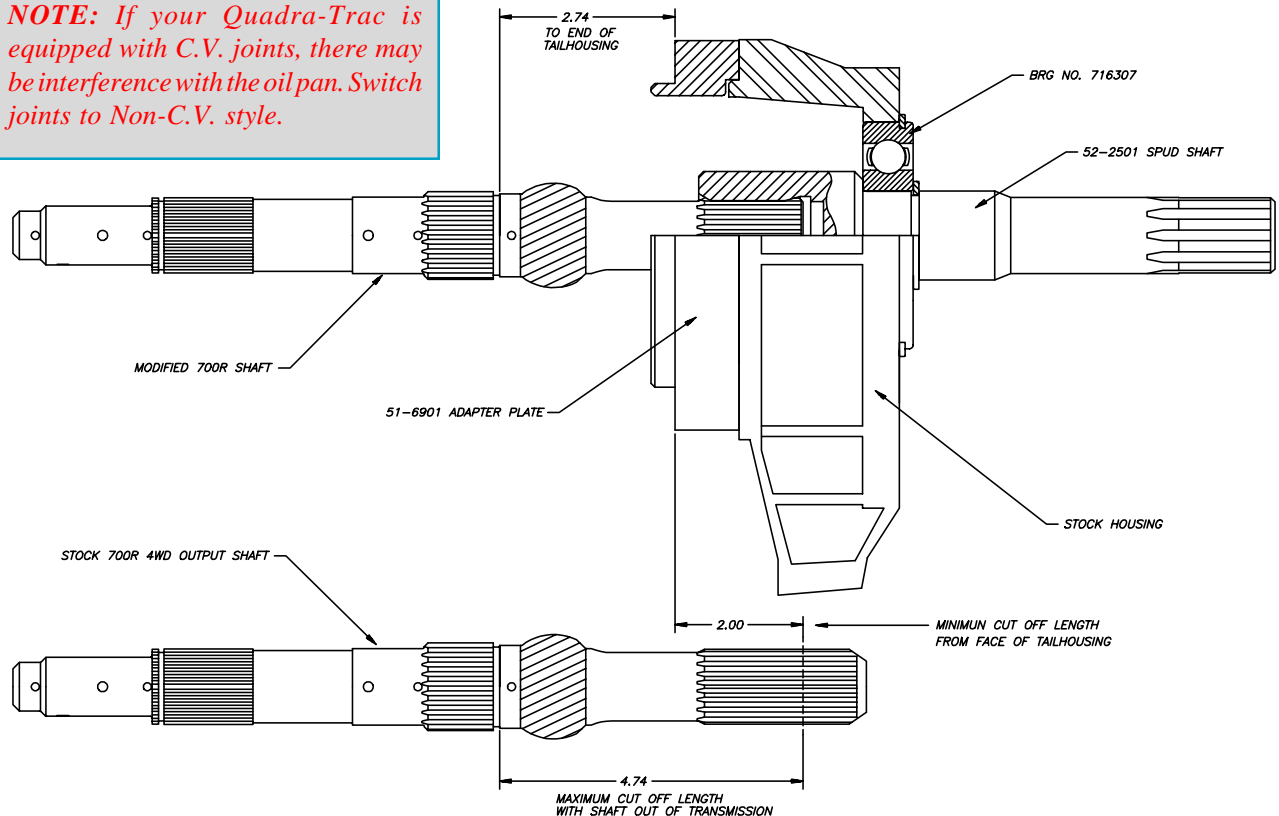
700R-4 TO QUADRA-TRAC TRANSFER CASE

KIT CONSISTS OF:

No.	Qty	Part No.	Description
1.	1	51-6902	ADAPTER PLATE 700R TO TH400 (<i>Rotated pattern</i>)
2.	1	52-2501	700R-4 TO QUADRA TRAC SPUD SHAFT
3.	1	716307	SPEC. BRG. 308 O.D. TO 307 I.D.
4.	1	716453	SNAPRING
5.	1	716510	GMT400 862-4709 GASKET
6.	1	716511	TURBO 350 "O" RING
7.	4	720046	10mm-1.5 THREAD TO 40mm S.H.C.S.
8.	6	723704	LOCK WASHER 3/8" PLATED
9.	6	723722	H.H.C.S. 3/8"-16 X 1-1/4" (GRADE 5)
10.	1	761093A	SNAPRING/308 BEARING



NOTE: If your Quadra-Trac is equipped with C.V. joints, there may be interference with the oil pan. Switch joints to Non-C.V. style.



SPECIAL NOTE: The components packaged in this kit have been assembled and machined for specific type of conversions. Modifications to any of the components will void any possible warranty or return privileges. If you do not fully understand modifications or changes that will be required to complete your conversion, we strongly recommend that you contact our sales department for more information. This instruction sheet is only to be used for the assembly of Advance Adapter components. We recommend that a service manual pertaining to your vehicle be obtained for specific torque values, wiring diagrams and other related equipment. These manuals are normally available at automotive dealerships and parts stores.