

Jeep JL 392 8HP75 & 4xE Hybrid to ATLAS

KIT CONSISTS OF:

No.	Qty	Part No.	Description
2	1	51-9903	ADAPTER PLATE- 8HP75 TO 51-9901 392 HEMI
3	1	51-9903C	ADAPTER- 392/ZF 8HP75 4X4 EXTN HSG
5	1	716308	SEALED BEARING 209RS
6	1	716456	TRUE ARC SNAP RING (housing)
7	1	716450	SNAP RING (shaft)
9	1	52-9903	SHAFT- JEEP 43 INT X JEEP 23 EXT, 7.5 OAL
10	1	720075	S.H.C.S. M10-1.5 X 30MM CLASS 12.9 ZINC G5
11	6	720020	10mm X 1.5TH x 30mm long F.H.H.S, 8.8
12	1	720072	H.H.F. M10-1.5 x 50mm Class 8.8
13	1	51-9903A	SUPPORT MOUNT- 8HP75 2021 JL 392 HEMI
14	1	720067	FHCS M10-1.5 X 25MM
15	3	720076	S.H.C.S. M10-1.5 X 25MM CLASS 12.9 ZINC G5
16	4	720070	H.H.F. M10-1.5 x 16mm Class 10.9
17	1	716035	DOWEL PIN 8mm X 22mm 18-8 SS



Jeep JL 392 & 4xE: These Jeeps have a full-time transfer case with an 8HP75 or 8HP75PH transmission. This transmission has a 43-spline output shaft and an adapter that is part of the stock transfer case. This adapter kit that couples this transmission to an Atlas transfer case. The Atlas needs to be a standard 23 spline input.

This two piece adapter utilizes the adapter that we manufactured for the standard Jeep JL and adapts it to the 8HP (392/4xE version) transmission with a new adapter plate. The plate mates to the transmission converting the (392/4xE) transmission pattern to what we see on most of the Jeep JL & JT drivetrains. The addition on this adapter also required a transmission support adapter block and a new spud shaft for this kit as it is approximately .500" longer.

Press the bearing onto the spud shaft and retain it with the snap ring. Install the spud shaft assembly into the 51-9903C housing and retain with the large snap ring (716456). Press the dowel into the adapter plate (light press). Install the adapter plate to the 8HP75 transmission. Align the dowel pin that was pressed into our plate and fits into the stock transmission, fasten with the 1 SHCS 10MM x 30MM and the stock bolts that were holding the transfer case to the transmission 10MM x 34MM long (see page 2). This is a dry housing, so no gasket or silicon is needed on the mating surfaces, however loctite should be used on the bolts.

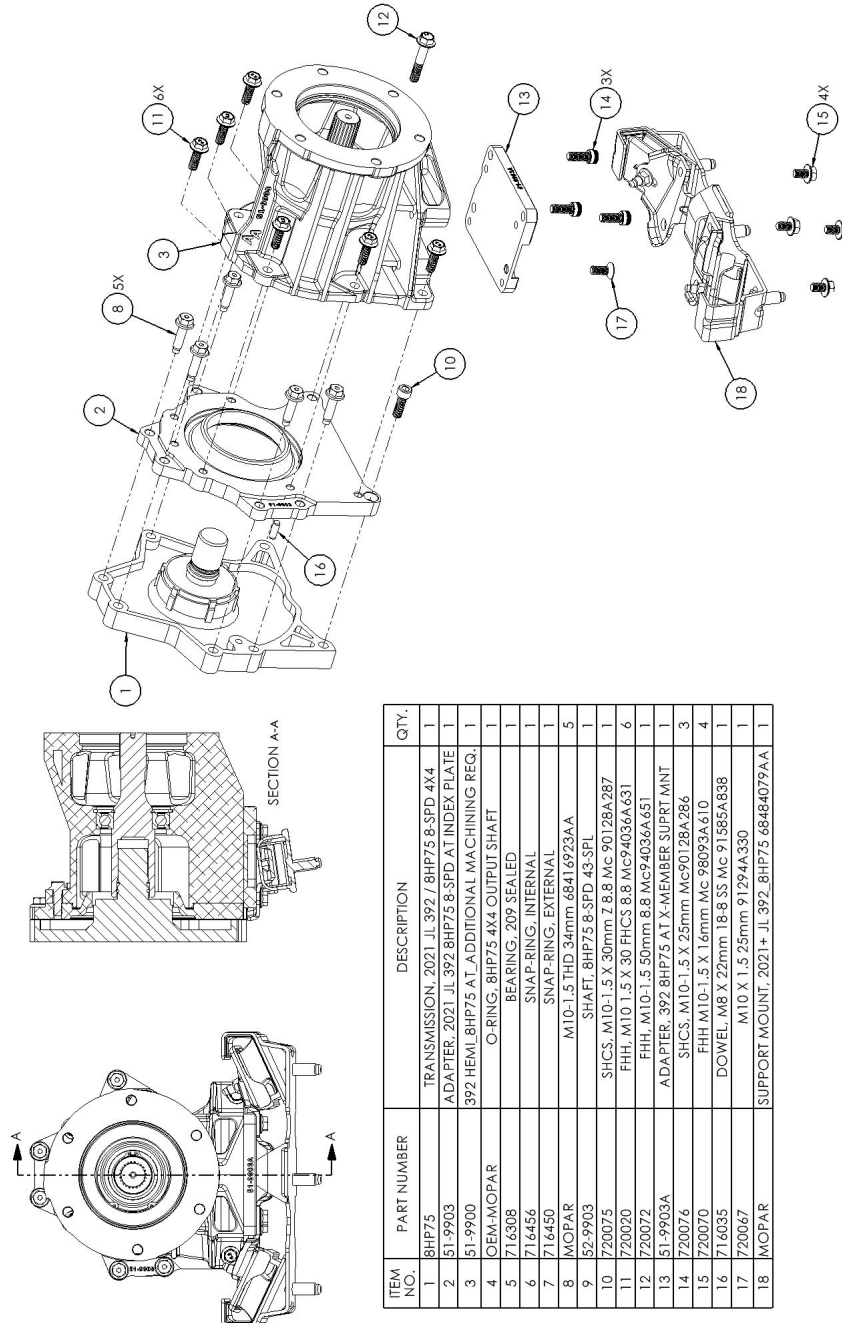
The stock transmission output shaft does have a o-ring that should be retained and may require some grease to allow the spud shaft to slip over it. Once the shaft and housing assembly are installed, loctite and install the bolts in place.

The Jeep 8HP75 have a different support bolt pattern than what we have on our casting plus we add .500" of length with the adapter plate. The aluminum cross member adapter needs to be installed to the housing to align with the modified stock rubber support. See page 3 for modifications needed to the stock support.



SPECIAL NOTE: The components packaged in this kit have been assembled and machined for specific type of conversions. Modifications to any of the components will void any possible warranty or return privileges. If you do not fully understand modifications or changes that will be required to complete your conversion, we strongly recommend that you contact our sales department for more information. This instruction sheet is only to be used for the assembly of Advance Adapter components. We recommend that a service manual pertaining to your vehicle be obtained for specific torque values, wiring diagrams and other related equipment. These manuals are normally available at automotive dealerships and parts stores.

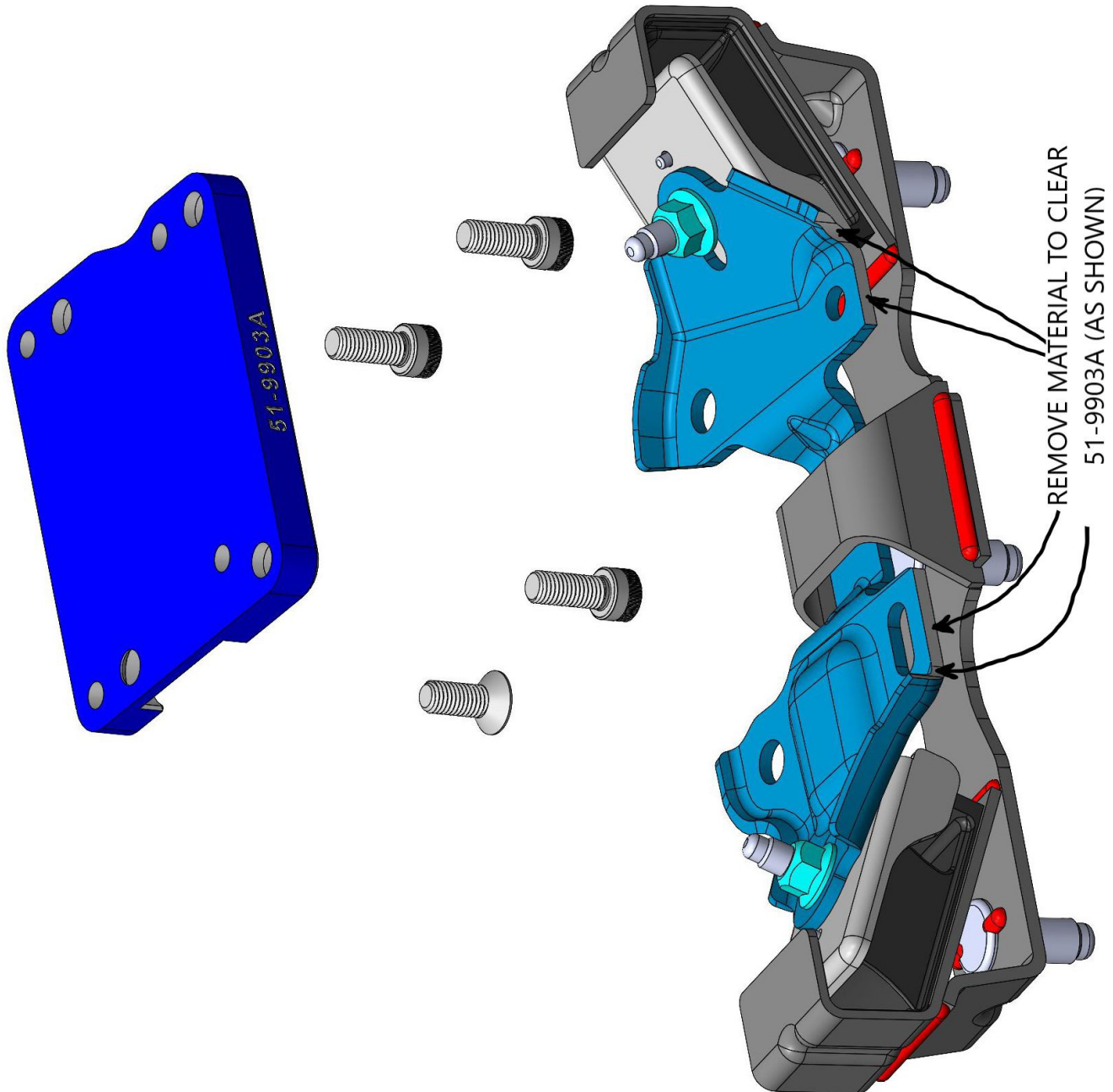
Jeep JL 392 8HP75 & 4xE Hybrid to ATLAS



ITEM NO.	PART NUMBER	DESCRIPTION	QTY.
1	8HP75	TRANSMISSION, 2021 JL 392 / 8HP75 8-SPD 4X4	1
2	51-9903	ADAPTER, 2021 JL 392 8HP75 8-SPD AT INDEX PLATE	1
3	51-9900	392 HEMI 8HP75 AT ,ADDITIONAL MACHINING REQ.	1
4	OEM-MOPAR	O-RING, 8HP75 4X4 OUTPUT SHAFT	1
5	716308	BEARING, 209 SEALED	1
6	716456	SNAP-RING, INTERNAL	1
7	716450	SNAP-RING, EXTERNAL	1
8	MOPAR	M10-1.5 THD 34mm 68416923AA	5
9	52-9903	SHAFT, 8HP75 8-SPD, 43-SPL	1
10	720075	SHCS, M10-1.5 X 30mm Z 8.8 Mc 90128A287	1
11	720070	FHH, M10 1.5 X 30 FHCS 8.8 Mc94036A631	6
12	720072	FHH, M10-1.5 50mm 8.8 Mc94036A651	1
13	51-9903A	ADAPTER, 392 8HP75 AT X-MEMBER SUPRT MNT	1
14	720076	SHCS, M10-1.5 X 25mm Mc90128A286	3
15	720070	FHH M10-1.5 X 16mm Mc 98093A610	4
16	716035	DOWEL, M8 X 22mm 18-8 SS Mc 91585A838	1
17	720067	M10 X 1.5 25mm 91294A330	1
18	MOPAR	SUPPORT MOUNT, 2021+ JL 392 8HP75 68484079AA	1

SPECIAL NOTE: The components packaged in this kit have been assembled and machined for specific type of conversions. Modifications to any of the components will void any possible warranty or return privileges. If you do not fully understand modifications or changes that will be required to complete your conversion, we strongly recommend that you contact our sales department for more information. This instruction sheet is only to be used for the assembly of Advance Adapter components. We recommend that a service manual pertaining to your vehicle be obtained for specific torque values, wiring diagrams and other related equipment. These manuals are normally available at automotive dealerships and parts stores.

Jeep JL 392 8HP75 & 4xE Hybrid to ATLAS



SPECIAL NOTE: The components packaged in this kit have been assembled and machined for specific type of conversions. Modifications to any of the components will void any possible warranty or return privileges. If you do not fully understand modifications or changes that will be required to complete your conversion, we strongly recommend that you contact our sales department for more information. This instruction sheet is only to be used for the assembly of Advance Adapter components. We recommend that a service manual pertaining to your vehicle be obtained for specific torque values, wiring diagrams and other related equipment. These manuals are normally available at automotive dealerships and parts stores.