

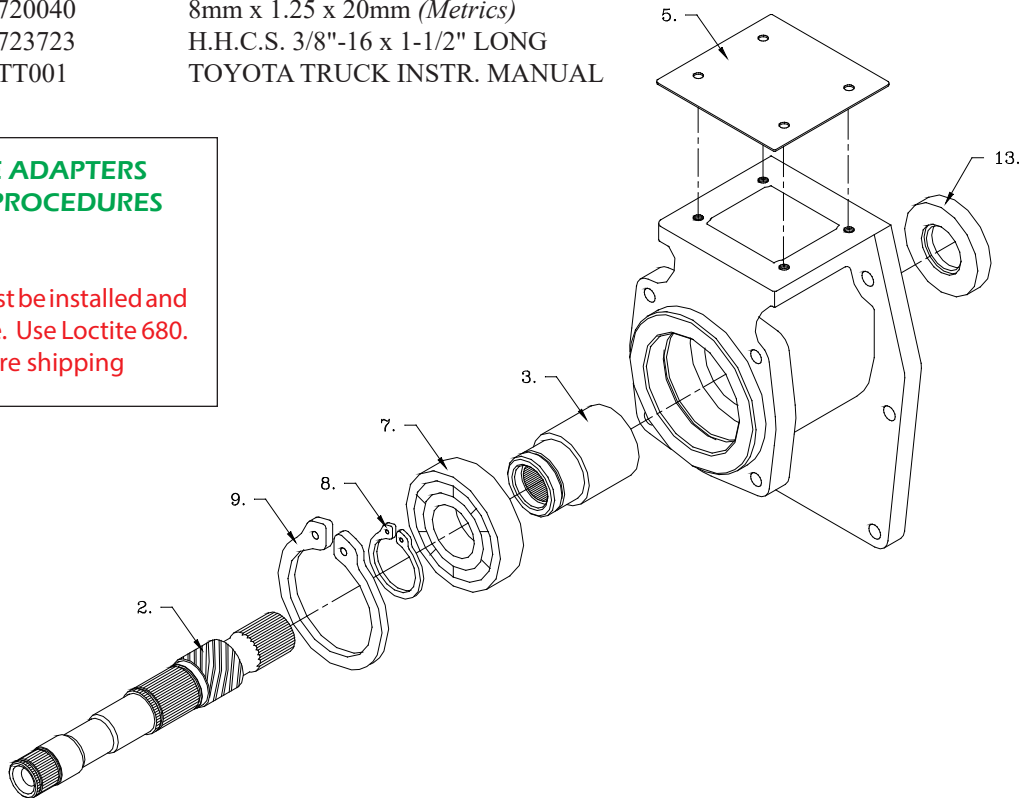
## GM TH350 AUTOMATIC TRANS TO TOYOTA TRUCK 1986-87 (23-SPLINES)

### KIT CONSISTS OF:

No.	Qty.	Part No.	Description
1.	1	51-4000	ADAPTER CASTING (Ref: 711140) <i>(Assembled by AA)</i>
2.	1	52-1200	GM 4WD SHAFT (GM#8641088) (Ref: 711312)
3.	1	52-6201	COUPLER (27 x 23 Splines) (Ref: 711362-23) <i>(Assembled by AA)</i>
4.	1	716062	NYLON BUSHING FOR T350 OUTPUT SHAFT <b><i>(CUSTOMER MUST INSTALL)</i></b>
5.	1	716063	COVER PLATE
6.	1	716289	SEAL SLEEVE
7.	1	716308	BEARING (#6209) <i>(Assembled by AA)</i>
8.	1	716450	SNAP RING (GM#378-5205) <i>(Assembled by AA)</i>
9.	1	716456	SNAP RING (T/A# N5000-334) <i>(Assembled by AA)</i>
10.	1	716511	O-RING (GM# 135-8899)
11.	1	716563	GASKET
12.	1	716564	GASKET
13.	1	716712	SEAL (NAT# 223440) <i>(Installed in Casting)</i>
14.	4	720040	8mm x 1.25 x 20mm (Metrics)
15.	4	723723	H.H.C.S. 3/8"-16 x 1-1/2" LONG
16.	1	TT001	TOYOTA TRUCK INSTR. MANUAL

### ADVANCE ADAPTERS IN-HOUSE PROCEDURES

**NOTE:**  
 P/N 716289 must be installed and  
 loctited in place. Use Loctite 680.  
 Install seal before shipping



**SPECIAL NOTE:** The components packaged in this kit have been assembled and machined for a specific type of conversion. Modifications to any of the components will void any possible warranty or return privileges. If you do not fully understand the modifications or changes that will be required to complete your conversion, we strongly recommend that you contact our sales department for more information. This instruction sheet is only to be used for the assembly of Advance Adapter components. We recommend that a service manual pertaining to your vehicle be obtained for specific torque values, wiring diagrams and other related equipment. These manuals are normally available at automotive dealerships and parts stores. Always inspect parts prior to installation for consistency with the OEM offering (e.g., spline count, tooth count, lubrication points, etc.).



P.O. Box 247, 4320 Aerotech Center Way  
Paso Robles, CA 93447  
Telephone: (800) 350-2223 Fax: (805) 238-4201  
PAGE 2 OF 3 Page Rev. Date: 08-08-19  
P/N: 50-5703

## GM TH350 AUTOMATIC TRANS TO TOYOTA TRUCK 1986-87 (23-SPLINES)

### GM TH350 3 SPEED AUTOMATIC

This adapter will work on all Toyota 4WD trucks, 1986-87 with a R151F transmission.

The General Motors TH350 has a case length of 21-1/2", 13 bolts for holding the oil pan in position and is available in two different engine to transmission bolt patterns. The case is available with a Chevy bolt pattern that have the top two holes 8-1/4" apart or in a Buick bolt pattern that have the top two holes 7" apart. The rear side of the transmission case should have a square bolt pattern that uses 4 bolts. There are several various lengths of output shafts that these transmissions have been furnished with. You must make sure the proper shaft has been installed into the transmission for use with the Advance Adapter transfer case kit. When overall transmission length is critical, we standardize our adapters on the GM 4 wheel drive output shafts that were used in vehicles 1973-79. If the transmission you purchased has the correct output shaft, you can return the new output shaft for credit. All TH350 output shafts will have 27 splines. The speedometer gear is normally located in the tailhousing, but when adapting it to the transfer case, the location will change to the back side of the transfer case. The rear transmission support is located in the main case just forward of the tailhousing connection. This can be used for supporting the crossmember on some installations, but most of our kits provide support on the new adapter housing.

Make sure the bearing retainer clip found on the front side of some transfer cases is removed prior to assembly of the new adapter. This clip was used to retain lower bearing in Toyota transfer case.

The coupler in this kit is made for a 23 spline male shaft that protrudes from the front of your transfer case.

When installing the new transfer case adapter, make sure that the coupler and the output shaft do not bottom out. We have found on occasion that a transmission output shaft may be slightly longer than we have allowed for; and when coupling into our new spud shaft, we find a small amount of interference. The adapter housing and coupler must be assembled to the back of the transmission without interference. **DO NOT FORCE THE NEW TAILHOUSING ONTO THE TRANSMISSION.** If assistance is needed, please feel free to call the number listed above. Some early model transfer case input shafts ('79-80) may need to have a spline relief ground in the Toyota shaft to permit the proper spline engagement.

When assembling the adapter housing to the transmission case, we have provided a new square-type "O" ring seal to prevent fluid leakage. This seal is a stock GM item that is used on all TH350 installations.

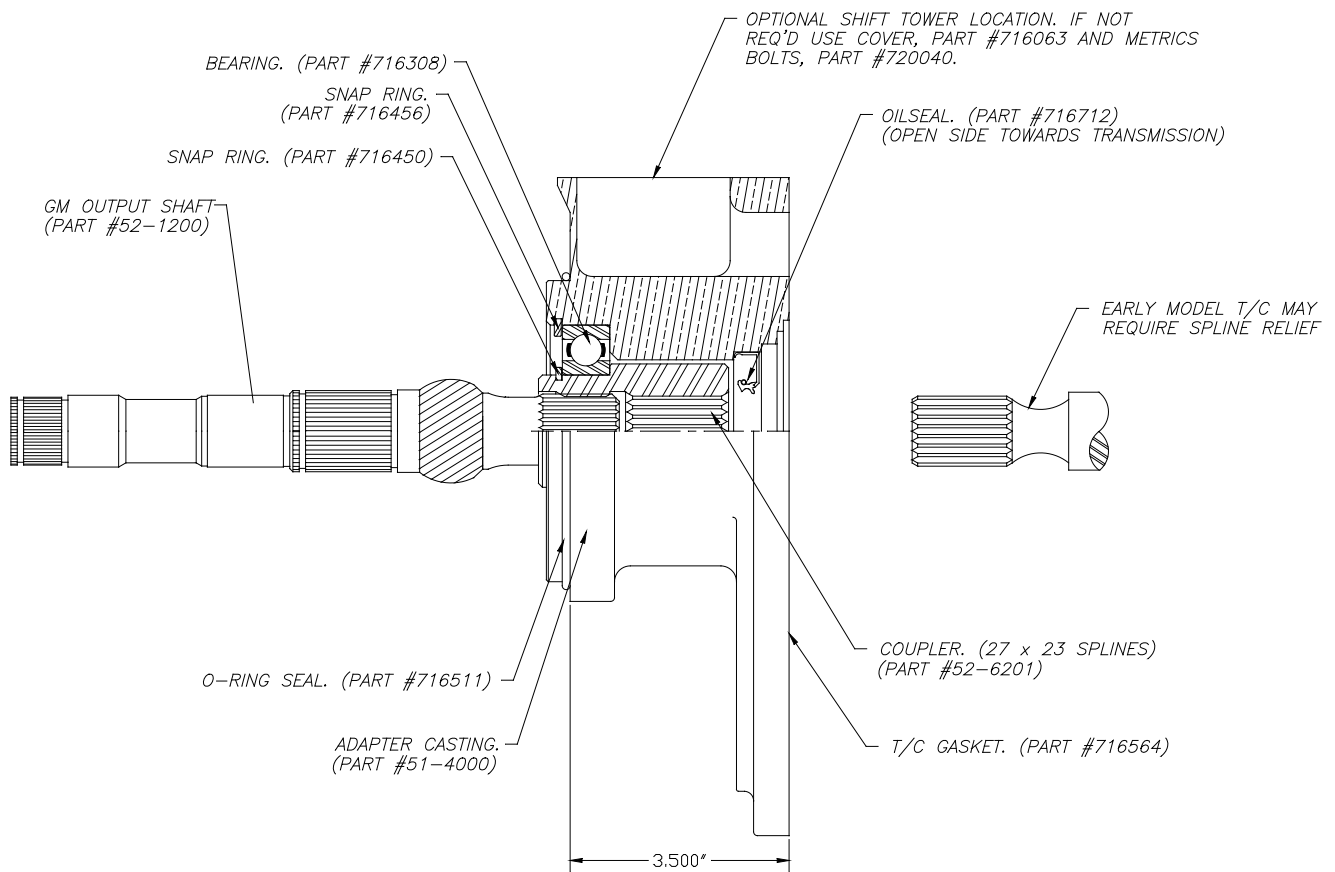
If you have selected a transmission that has the old style modulator, then we recommend the use of the Advance Adapters adjustable modulator, Part No. 716010. This will also allow for additional driveshaft clearance.

All installations will require the use of a transmission cooler. The cooler can either be installed in the radiator or a remote location is acceptable. The transmission shift control can either be a Hurst floor mounted type shifter or sometimes the existing column shift can be modified on certain applications.

The linkage on the Toyota transfer cases will vary. Some have the control lever on the tailhousing of the transmission, while others have it on the transfer case. This adapter can be used with either style. If the opening is not used on the top of the new housing, you will need to cover the square opening with the cover provided.

**SPECIAL NOTE:** The components packaged in this kit have been assembled and machined for a specific type of conversion. Modifications to any of the components will void any possible warranty or return privileges. If you do not fully understand the modifications or changes that will be required to complete your conversion, we strongly recommend that you contact our sales department for more information. This instruction sheet is only to be used for the assembly of Advance Adapter components. We recommend that a service manual pertaining to your vehicle be obtained for specific torque values, wiring diagrams and other related equipment. These manuals are normally available at automotive dealerships and parts stores. Always inspect parts prior to installation for consistency with the OEM offering (e.g., spline count, tooth count, lubrication points, etc.).

## GM TH350 AUTOMATIC TRANS TO TOYOTA TRUCK 1986-87 (23-SPLINES)



**SPECIAL NOTE:** The components packaged in this kit have been assembled and machined for a specific type of conversion. Modifications to any of the components will void any possible warranty or return privileges. If you do not fully understand the modifications or changes that will be required to complete your conversion, we strongly recommend that you contact our sales department for more information. This instruction sheet is only to be used for the assembly of Advance Adapter components. We recommend that a service manual pertaining to your vehicle be obtained for specific torque values, wiring diagrams and other related equipment. These manuals are normally available at automotive dealerships and parts stores. Always inspect parts prior to installation for consistency with the OEM offering (e.g., spline count, tooth count, lubrication points, etc.).