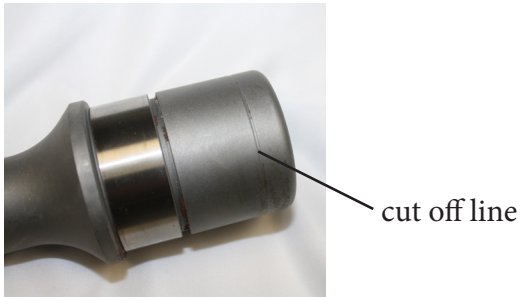


Ram 5.7 & Grand Cherokee 5.7 8HP70 23 spline output

KIT CONSISTS OF:

No.	Qty	Part No.	Description
1	51-9905	5.7 & 6.2 8HP70/8HP95 Adapter housing	
1	52-9901	SHAFT- JEEP 23 FEMALE X JEEP 23 MALE	
1	716308	SEALED BEARING 209RS	
1	716450	SNAP RING (T350 & T400)	
1	716456	TRUE ARC SNAP RING	

Note: Some 8HP70/75's require the female side of the spud shaft to be shortened. Test fit the adapter to the transmission, if a gap is present between the transmission and the adapter, you will be required to shorten the spud shaft. We have a machined mark on the shaft as a guide to where the shaft needs to be modified.



Ram 5.7 & Grand Cherokee 5.7 8HP70 transmissions:

This adapters couples the popular 8HP70 transmission to an Atlas 2 speed transfer case. This drivetrain has gained popularity for swapping into the Jeep JK, JL& JT's. The uninique pattern on this transmission requires an adapter allowing the Atlas to be installed. The adapter uses a spud shaft that couples the 23 spline transmission output shaft to a 23 spline Atlas transfer case. The adapter length is 7.75".

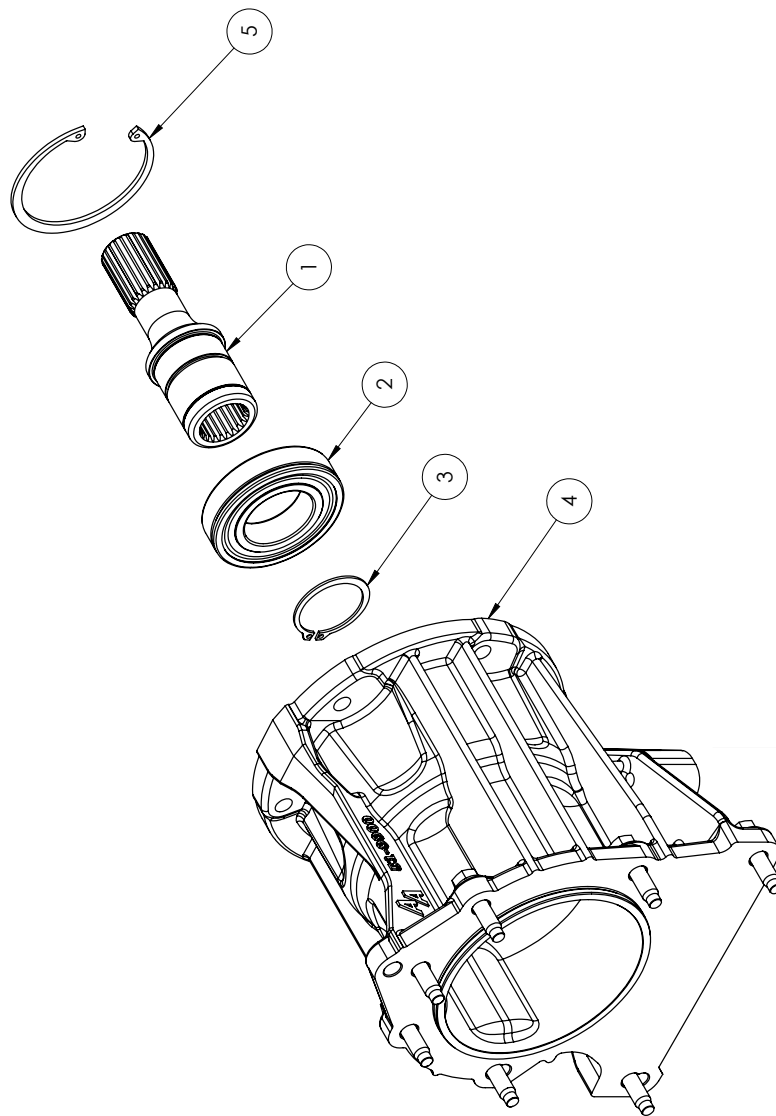
The adapter will retain the stock Jeep transmission support which bolts to the new adapter housing, the crossmember may need some modifications do to drivetrain length. Jeep JK applications should use the Jepp JL rubber support and will need to modify the crossmember to fit.

Installation notes: Install the new adapter housing using the factory bolts. We recommend not connecting the crossmenber back to the frame until the Atlas is installed. The bolts that are closest to the floorboard are hard to tighten if the drivetrain is back in the stock position.

Note: The stock transfer case breather need to be removed and installed on the Atlas. The Atlas is shipped with a red cap that covers the elbow that the breather should be connected to.

SPECIAL NOTE: The components packaged in this kit have been assembled and machined for specific type of conversions. Modifications to any of the components will void any possible warranty or return privileges. If you do not fully understand modifications or changes that will be required to complete your conversion, we strongly recommend that you contact our sales department for more information. This instruction sheet is only to be used for the assembly of Advance Adapter components. We recommend that a service manual pertaining to your vehicle be obtained for specific torque values, wiring diagrams and other related equipment. These manuals are normally available at automotive dealerships and parts stores.

Ram 5.7 & Grand Cherokee 5.7 8HP70 23 spline output



SPECIAL NOTE: The components packaged in this kit have been assembled and machined for specific type of conversions. Modifications to any of the components will void any possible warranty or return privileges. If you do not fully understand modifications or changes that will be required to complete your conversion, we strongly recommend that you contact our sales department for more information. This instruction sheet is only to be used for the assembly of Advance Adapter components. We recommend that a service manual pertaining to your vehicle be obtained for specific torque values, wiring diagrams and other related equipment. These manuals are normally available at automotive dealerships and parts stores.